

THIS DETAIL ALONG WITH ITS CONCEPTS, SHAPE AND SIZES ARE THE PROPRIETARY PROPERTY OF ENTRANCE METAL, A DIVISION OF DORALCO, INC. IT MAY NOT BE TRANSFERRED IN ANY FORMAT TO ANY OTHER PERSON OR ENTITY, IN CONCEPTS OR DESIGN. THIS DETAIL IS NOT INTENDED FOR THE PURPOSE OF FABRICATION.

DORALCO

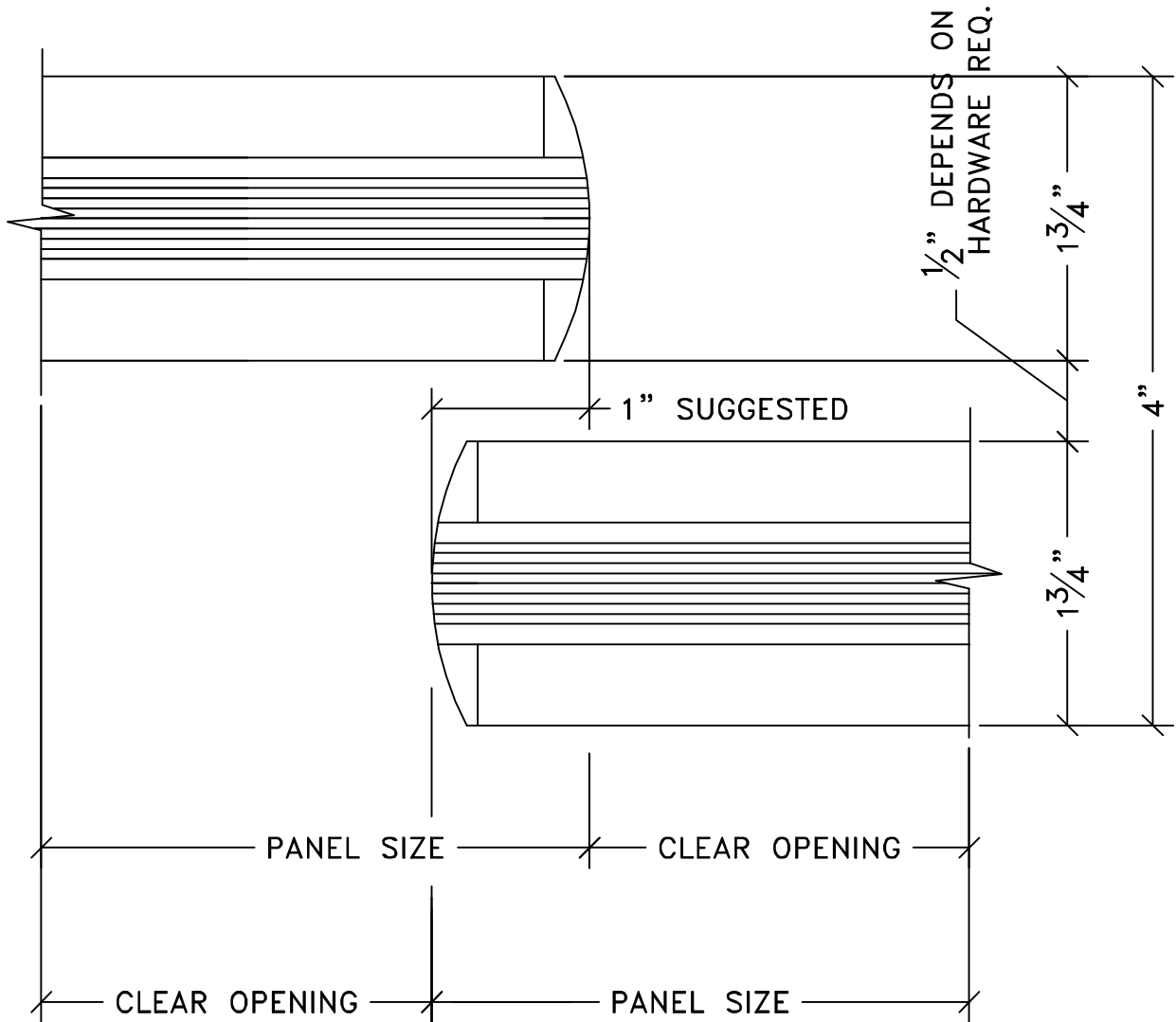
5919 W 118th STREET
ALSIP, IL 60803

Phone: (708) 388-9324

Fax: (708) 388-9392

REFERENCE

MEETING STILES @ SLIDER DETAIL (PLAN VIEW)



MEETING STILES @ SLIDER DETAIL

ENTRANCE | METAL
GLASS DOOR SOLUTIONS BY DORALCO

DATE: 07/01/09

JOB NUMBER:
XXXXXX

SHEET:

S1

THIS DETAIL ALONG WITH ITS CONCEPTS, SHAPE AND SIZES ARE THE PROPRIETARY PROPERTY OF ENTRANCE METAL, A DIVISION OF DORALCO, INC. IT MAY NOT BE TRANSFERRED IN ANY FORMAT TO ANY OTHER PERSON OR ENTITY, IN CONCEPTS OR DESIGN. THIS DETAIL IS NOT INTENDED FOR THE PURPOSE OF FABRICATION.

DORALCO

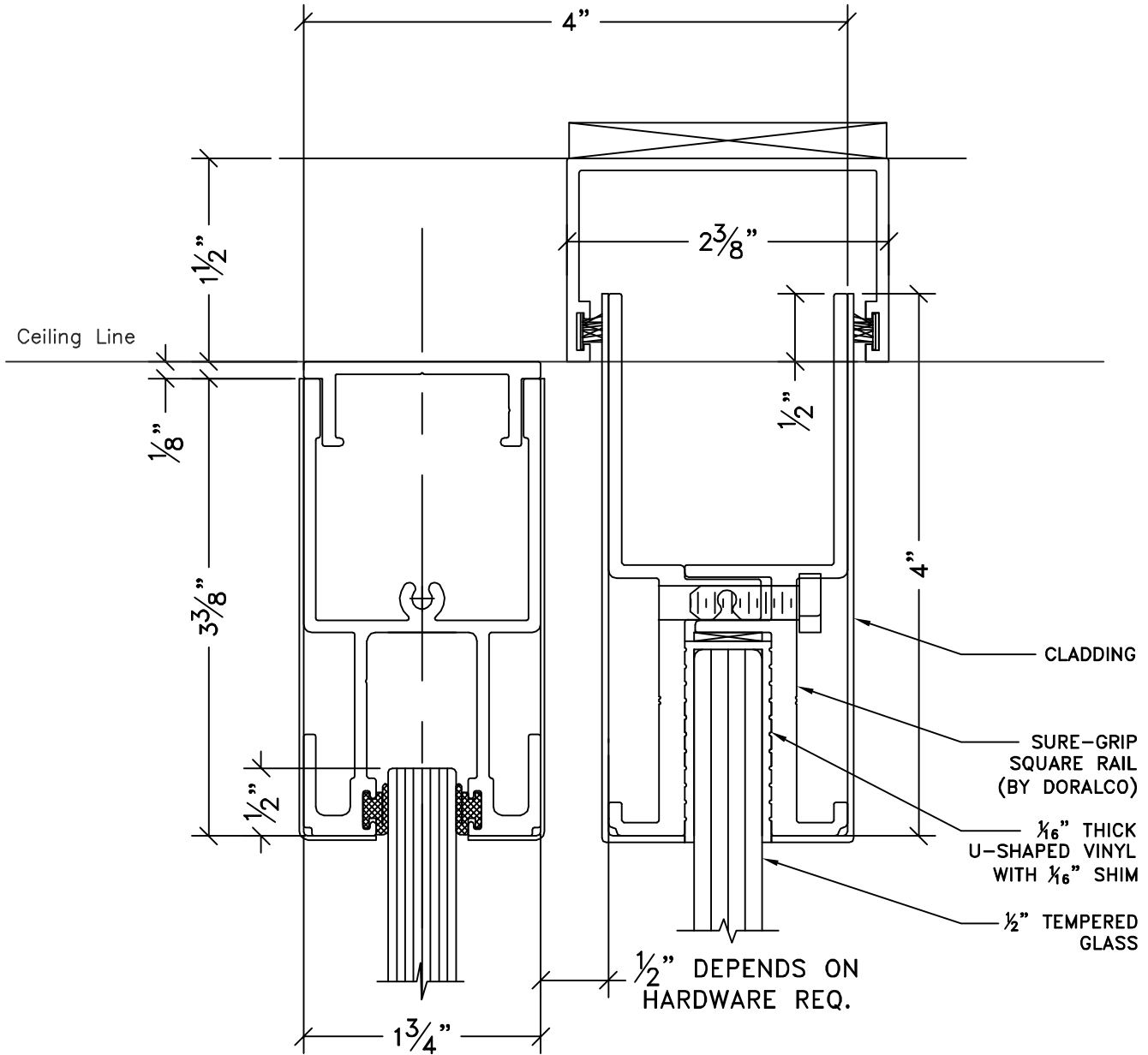
5919 W 118th STREET
ALSIP, IL 60803

Phone: (708) 388-9324

Fax: (708) 388-9392

REFERENCE

STANDARD SLIDING DOOR HEAD DETAIL



STANDARD SLIDING DOOR HEAD

ENTRANCE | METAL
GLASS DOOR SOLUTIONS BY DORALCO

DATE: 07/01/09

JOB NUMBER:
XXXXXX

SHEET:

S2

THIS DETAIL ALONG WITH ITS CONCEPTS, SHAPE AND SIZES ARE THE PROPRIETARY PROPERTY OF ENTRANCE METAL, A DIVISION OF DORALCO, INC. IT MAY NOT BE TRANSFERRED IN ANY FORMAT TO ANY OTHER PERSON OR ENTITY, IN CONCEPTS OR DESIGN. THIS DETAIL IS NOT INTENDED FOR THE PURPOSE OF FABRICATION.

DORALCO

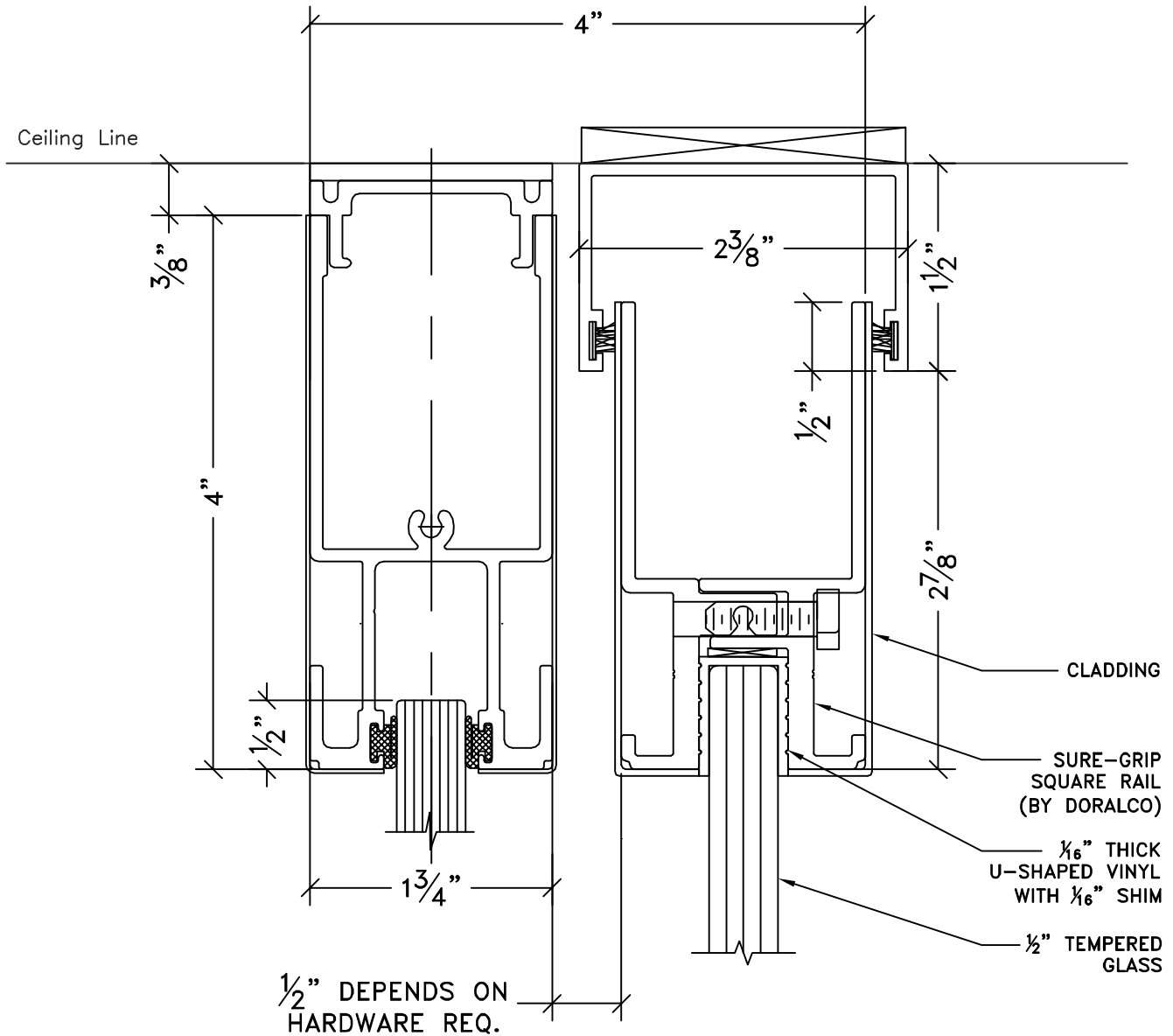
5919 W 118th STREET
ALSIP, IL 60803

Phone: (708) 388-9324

Fax: (708) 388-9392

REFERENCE

STANDARD SLIDING DOOR HEAD DETAIL



STANDARD SLIDING DOOR HEAD

ENTRANCE | METAL
GLASS DOOR SOLUTIONS BY DORALCO

DATE: 07/01/09

JOB NUMBER:
XXXXXX

SHEET:

S3

THIS DETAIL ALONG WITH ITS CONCEPTS, SHAPE AND SIZES ARE THE PROPRIETARY PROPERTY OF ENTRANCE METAL, A DIVISION OF DORALCO, INC. IT MAY NOT BE TRANSFERRED IN ANY FORMAT TO ANY OTHER PERSON OR ENTITY, IN CONCEPTS OR DESIGN. THIS DETAIL IS NOT INTENDED FOR THE PURPOSE OF FABRICATION.

DORALCO

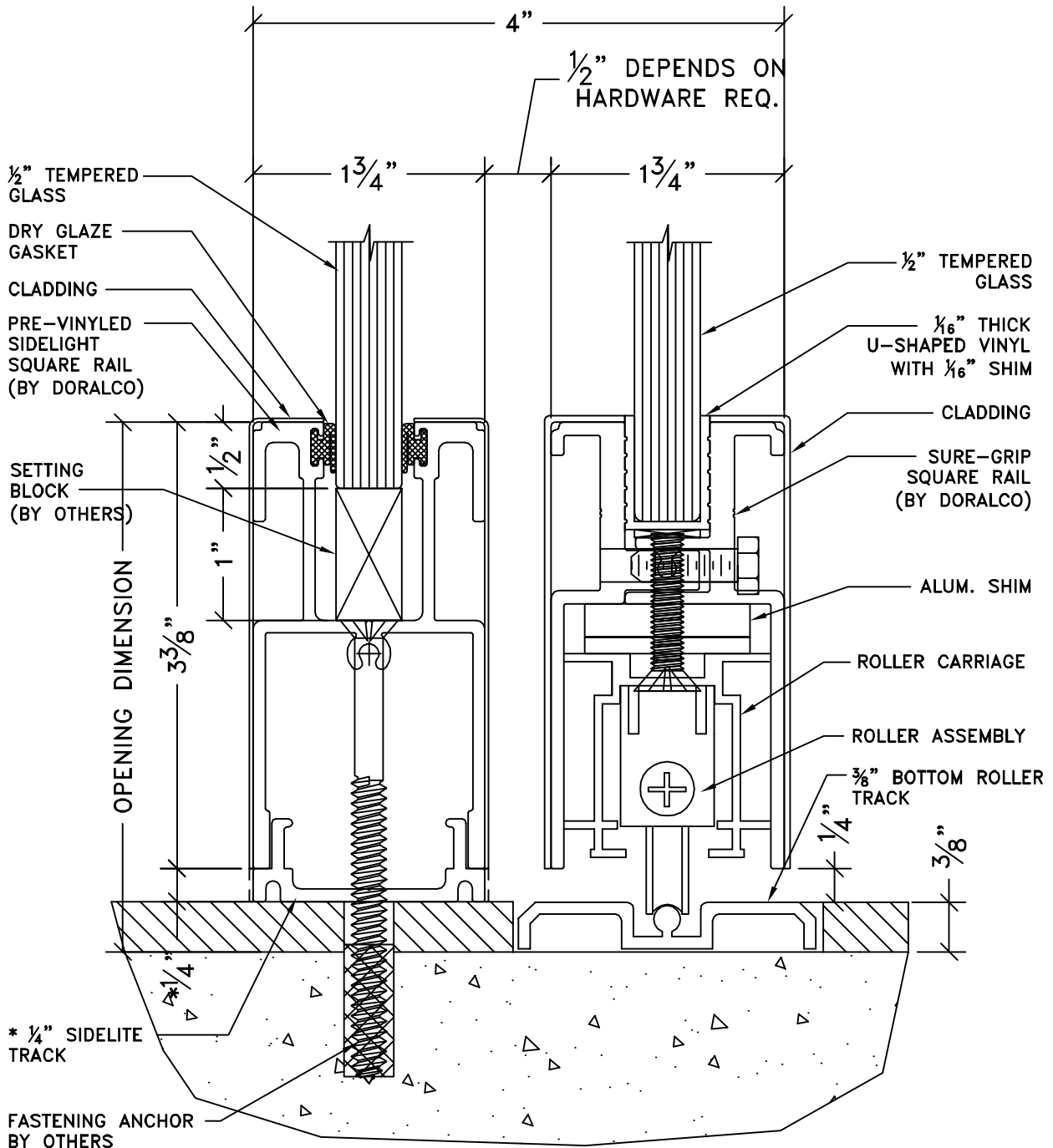
5919 W 118th STREET
ALSIP, IL 60803

Phone: (708) 388-9324

Fax: (708) 388-9392

REFERENCE

STANDARD SLIDING DOOR SILL DETAIL W/ 1/4" SIDELITE TRACK



**STANDARD SLIDING DOOR SILL
w/ 1/4" SIDELITE TRACK**

ENTRANCE | METAL
GLASS DOOR SOLUTIONS BY DORALCO

DATE: 07/01/09

JOB NUMBER:
XXXXXX

SHEET:

S4

THIS DETAIL ALONG WITH ITS CONCEPTS, SHAPE AND SIZES ARE THE PROPRIETARY PROPERTY OF ENTRANCE METAL, A DIVISION OF DORALCO, INC. IT MAY NOT BE TRANSFERRED IN ANY FORMAT TO ANY OTHER PERSON OR ENTITY, IN CONCEPTS OR DESIGN. THIS DETAIL IS NOT INTENDED FOR THE PURPOSE OF FABRICATION.

DORALCO

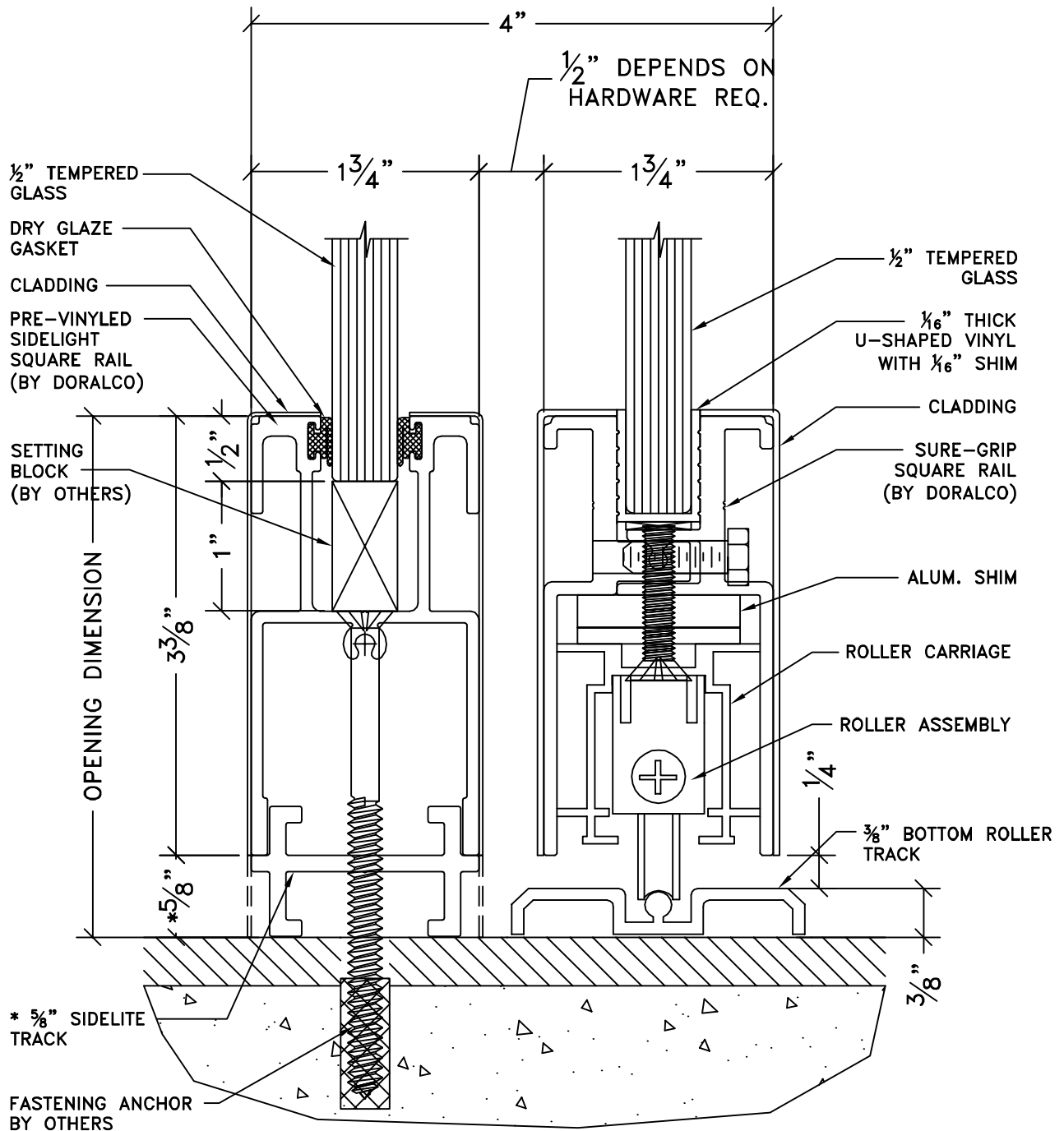
5919 W 118th STREET
ALSIP, IL 60803

Phone: (708) 388-9324

Fax: (708) 388-9392

REFERENCE

STANDARD SLIDING DOOR SILL DETAIL W/ 5/8" SIDELITE TRACK



**STANDARD SLIDING DOOR SILL
w/ 5/8" SIDELITE TRACK**

ENTRANCE | METAL
GLASS DOOR SOLUTIONS BY DORALCO

DATE: 07/01/09

JOB NUMBER:
XXXXXX

SHEET:

S5