

THIS DETAIL ALONG WITH ITS CONCEPTS, SHAPE AND SIZES ARE THE PROPRIETARY PROPERTY OF ENTRANCE METAL, A DIVISION OF DORALCO, INC. IT MAY NOT BE TRANSFERRED IN ANY FORMAT TO ANY OTHER PERSON OR ENTITY, IN CONCEPTS OR DESIGN. THIS DETAIL IS NOT INTENDED FOR THE PURPOSE OF FABRICATION.

DORALCO

5919 W 118th STREET
ALSIP, IL 60803

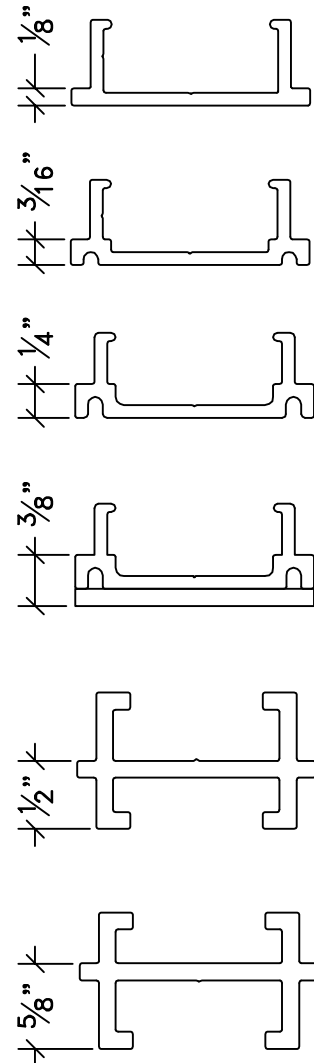
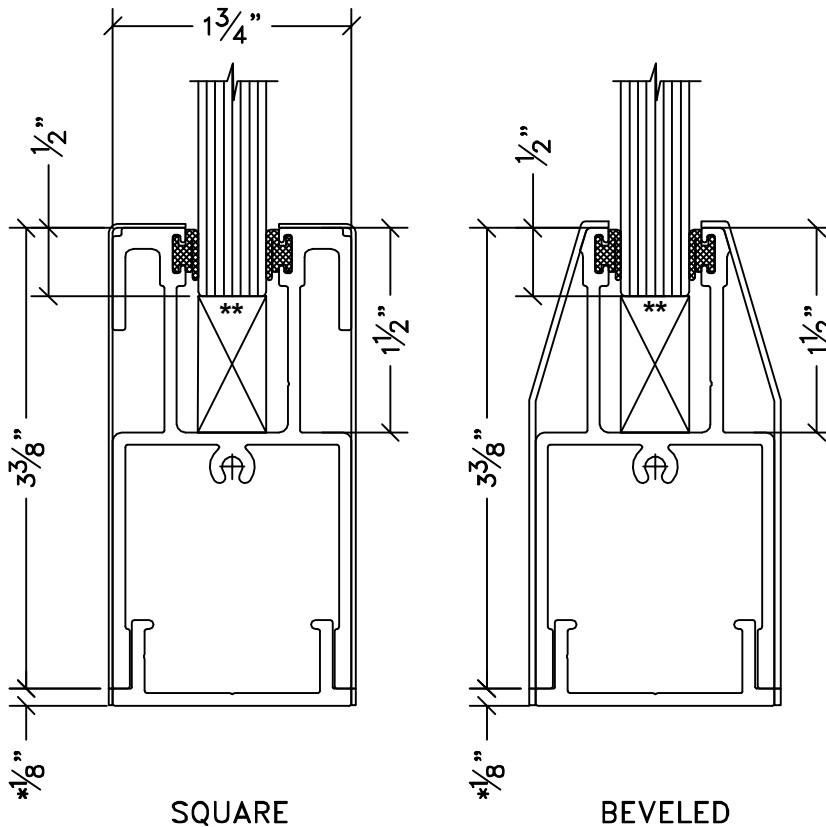
Phone: (708) 388-9324

Fax: (708) 388-9392

REFERENCE

3 3/8" PREVINYLED SIDELITE RAIL FOR 1/2" GLASS

TRACK OPTIONS



**3 3/8" PREVINYLED SIDELITE RAILS
FOR 1/2" GLASS**

***EXTENDED CLADS & ENDCAPS TO COVER TRACKS
AVAILABLE ON REQUEST**

****SETTING BLOCKS BY OTHERS**

ENTRANCE | METAL
GLASS DOOR SOLUTIONS BY DORALCO

DATE: 07/01/09

JOB NUMBER:
XXXXXX

SHEET:
R6

THIS DETAIL ALONG WITH ITS CONCEPTS, SHAPE AND SIZES ARE THE PROPRIETARY PROPERTY OF ENTRANCE METAL, A DIVISION OF DORALCO, INC. IT MAY NOT BE TRANSFERRED IN ANY FORMAT TO ANY OTHER PERSON OR ENTITY, IN CONCEPTS OR DESIGN. THIS DETAIL IS NOT INTENDED FOR THE PURPOSE OF FABRICATION.

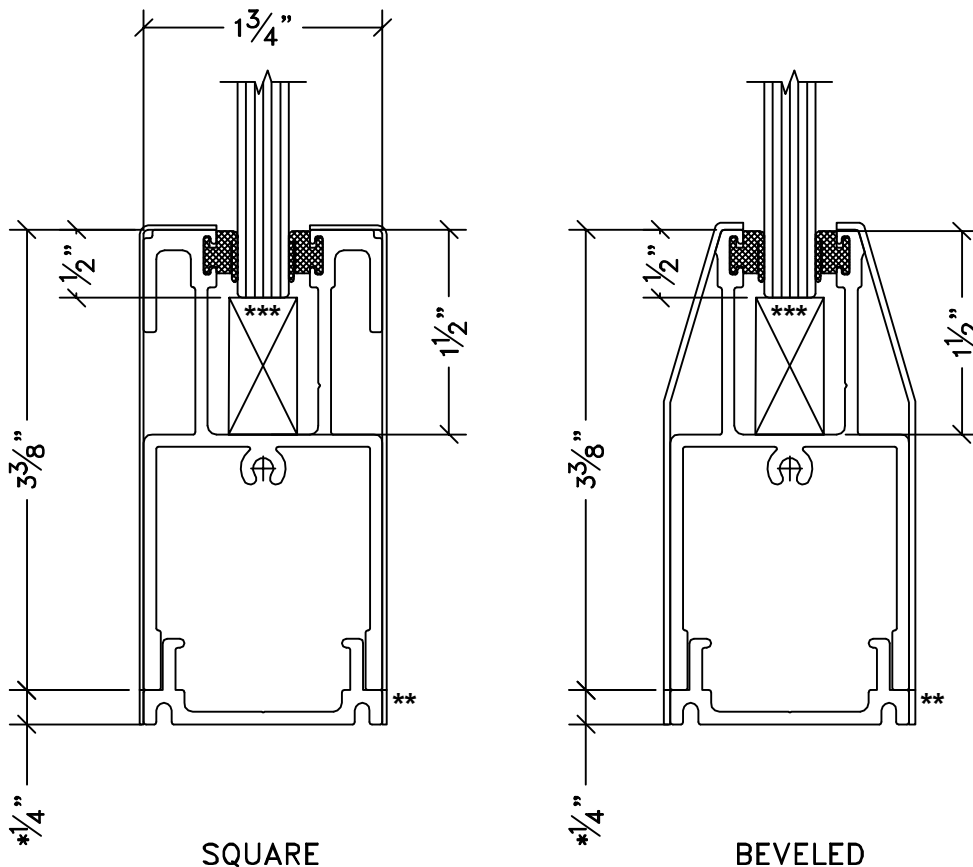
DORALCO

5919 W 118th STREET
ALSIP, IL 60803

Phone: (708) 388-9324
Fax: (708) 388-9392

REFERENCE

3 3/8" PREVINYLED SIDELITE RAIL FOR 3/8" GLASS



**3 3/8" PREVINYLED SIDELITE RAILS
FOR 3/8" GLASS**

***ADDITIONAL SETTING TRACKS AVAILABLE, SEE PAGE R6**

****EXTENDED CLADS & ENDCAPS TO COVER TRACKS
AVAILABLE ON REQUEST**

*****SETTING BLOCKS BY OTHERS**

ENTRANCE | METAL
GLASS DOOR SOLUTIONS BY DORALCO

DATE: 07/01/09

JOB NUMBER:
XXXXXX

SHEET:

R7

THIS DETAIL ALONG WITH ITS CONCEPTS, SHAPE AND SIZES ARE THE PROPRIETARY PROPERTY OF ENTRANCE METAL, A DIVISION OF DORALCO, INC. IT MAY NOT BE TRANSFERRED IN ANY FORMAT TO ANY OTHER PERSON OR ENTITY, IN CONCEPTS OR DESIGN. THIS DETAIL IS NOT INTENDED FOR THE PURPOSE OF FABRICATION.

DORALCO

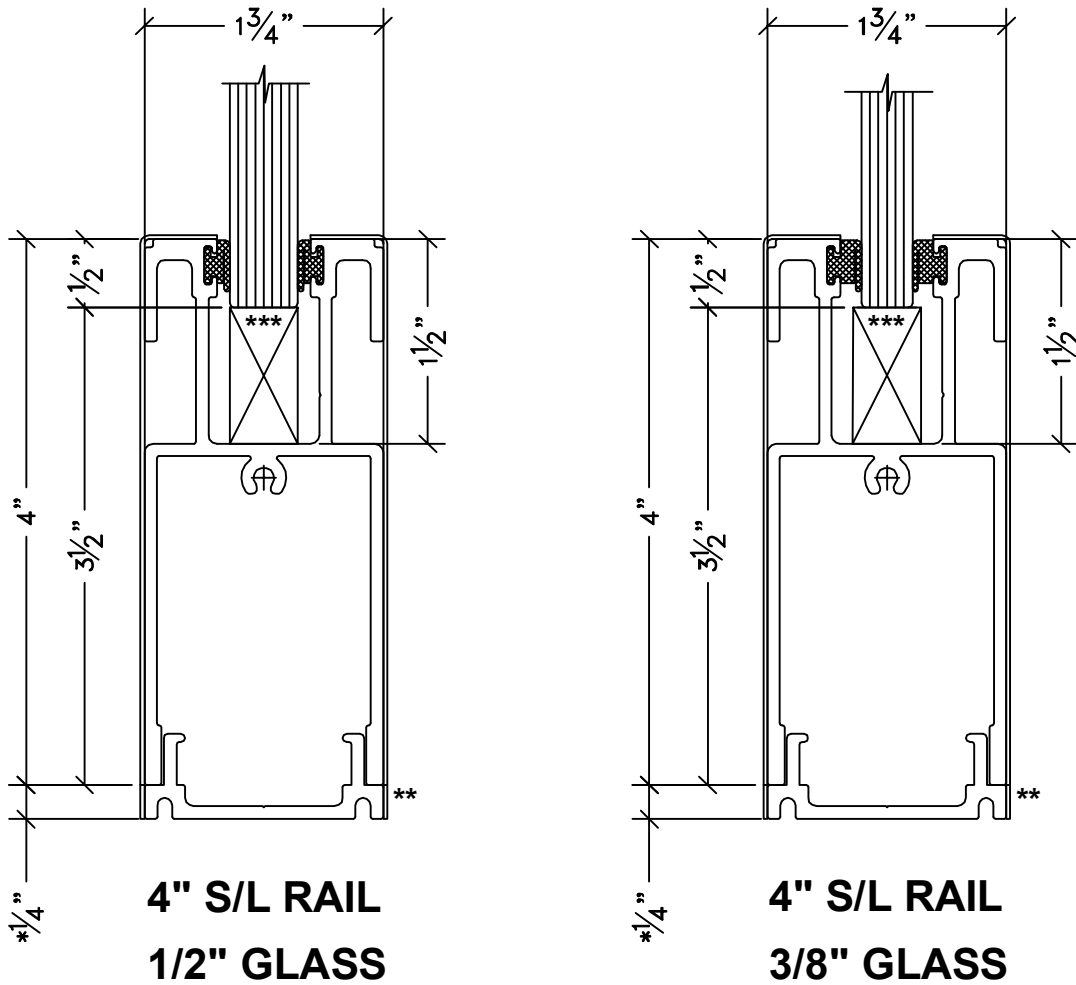
5919 W 118th STREET
ALSIP, IL 60803

Phone: (708) 388-9324

Fax: (708) 388-9392

REFERENCE

4" PREVINYLED SIDELITE RAIL FOR 1/2" & 3/8" GLASS



*ADDITIONAL SETTING TRACKS AVAILABLE, SEE PAGE R6

**EXTENDED CLADS & ENDCAPS TO COVER TRACKS
AVAILABLE ON REQUEST

***SETTING BLOCKS BY OTHERS

ENTRANCE | METAL
GLASS DOOR SOLUTIONS BY DORALCO

DATE: 07/01/09

JOB NUMBER:
XXXXXX

SHEET:

R8

THIS DETAIL ALONG WITH ITS CONCEPTS, SHAPE AND SIZES ARE THE PROPRIETARY PROPERTY OF ENTRANCE METAL, A DIVISION OF DORALCO, INC. IT MAY NOT BE TRANSFERRED IN ANY FORMAT TO ANY OTHER PERSON OR ENTITY, IN CONCEPTS OR DESIGN. THIS DETAIL IS NOT INTENDED FOR THE PURPOSE OF FABRICATION.

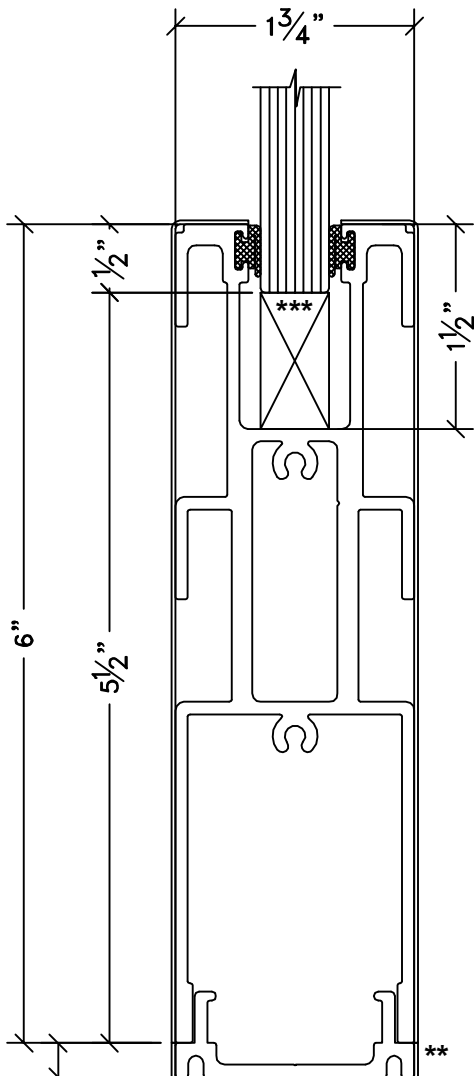
DORALCO

5919 W 118th STREET
ALSIP, IL 60803

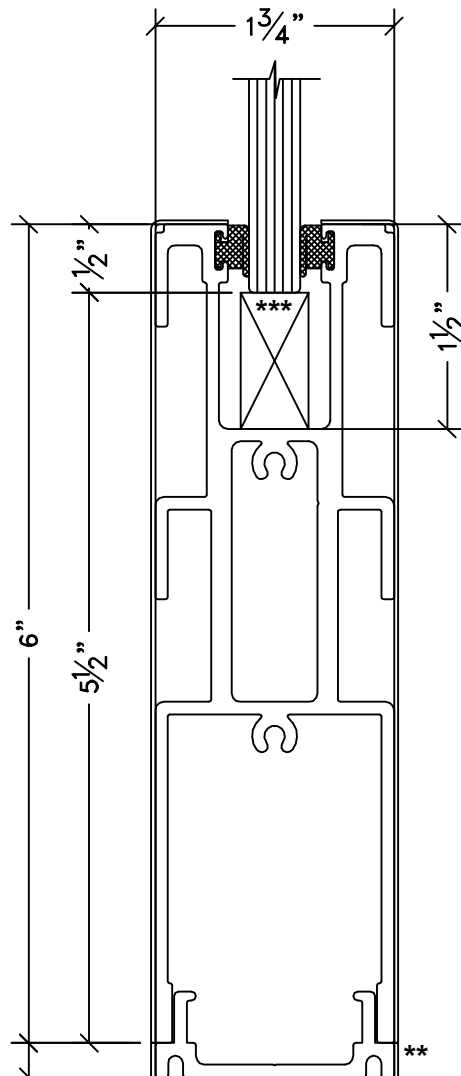
Phone: (708) 388-9324
Fax: (708) 388-9392

REFERENCE

6" PREVINYLED SIDELITE RAIL FOR 1/2" & 3/8" GLASS



**6" SIDELITE RAIL
1/2" GLASS**



**6" SIDELITE RAIL
3/8" GLASS**

***ADDITIONAL SETTING TRACKS AVAILABLE, SEE PAGE R6**

****EXTENDED CLADS & ENDCAPS TO COVER TRACKS
AVAILABLE ON REQUEST**

*****SETTING BLOCKS BY OTHERS**

ENTRANCE | METAL
GLASS DOOR SOLUTIONS BY DORALCO

DATE: 07/01/09

JOB NUMBER:
XXXXXX

SHEET:

R9

THIS DETAIL ALONG WITH ITS CONCEPTS, SHAPE AND SIZES ARE THE PROPRIETARY PROPERTY OF ENTRANCE METAL, A DIVISION OF DORALCO, INC. IT MAY NOT BE TRANSFERRED IN ANY FORMAT TO ANY OTHER PERSON OR ENTITY, IN CONCEPTS OR DESIGN. THIS DETAIL IS NOT INTENDED FOR THE PURPOSE OF FABRICATION.

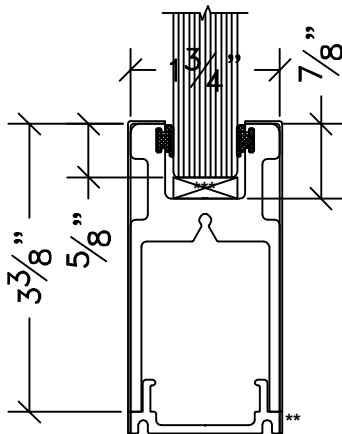
DORALCO

5919 W 118th STREET
ALSIP, IL 60803

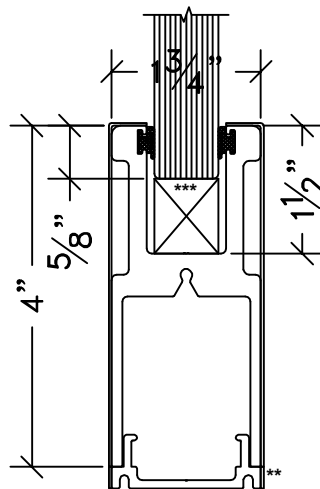
Phone: (708) 388-9324
Fax: (708) 388-9392

REFERENCE

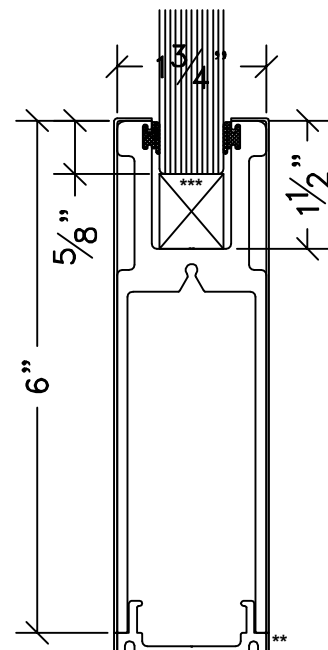
PREVINYLED ECONO SIDELITE RAILS FOR 3/4" GLASS



**3 3/8" PREVINYLED
ECONO SIDELITE RAILS
FOR 3/4" GLASS**



**4" PREVINYLED
ECONO SIDELITE RAILS
FOR 3/4" GLASS**



**6" PREVINYLED
ECONO SIDELITE RAILS
FOR 3/4" GLASS**

NOTE: CAN NOT BE USED AS TOP RAIL WHEN FIELD GLAZING. MUST USE 4" RAIL MODIFIED TO 3 3/8" TALL

*ADDITIONAL SETTING TRACKS AVAILABLE, SEE PAGE R6

**EXTENDED CLADS & ENDCAPS TO COVER TRACKS AVAILABLE ON REQUEST

***SETTING BLOCKS BY OTHERS

ENTRANCE | METAL
GLASS DOOR SOLUTIONS BY DORALCO

DATE: 07/01/09

JOB NUMBER:
XXXXXX

SHEET:

R11

THIS DETAIL ALONG WITH ITS CONCEPTS, SHAPE AND SIZES ARE THE PROPRIETARY PROPERTY OF ENTRANCE METAL, A DIVISION OF DORALCO, INC. IT MAY NOT BE TRANSFERRED IN ANY FORMAT TO ANY OTHER PERSON OR ENTITY, IN CONCEPTS OR DESIGN. THIS DETAIL IS NOT INTENDED FOR THE PURPOSE OF FABRICATION.

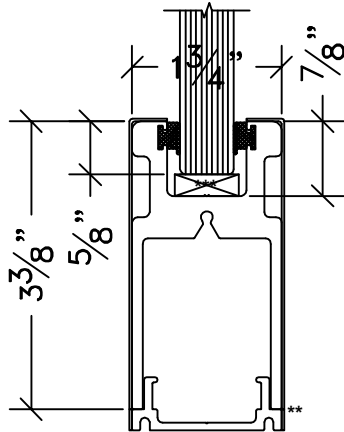
DORALCO

5919 W 118th STREET
ALSIP, IL 60803

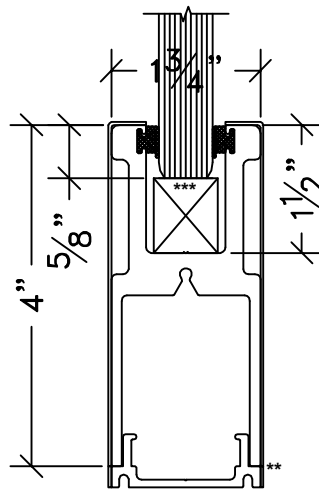
Phone: (708) 388-9324
Fax: (708) 388-9392

REFERENCE

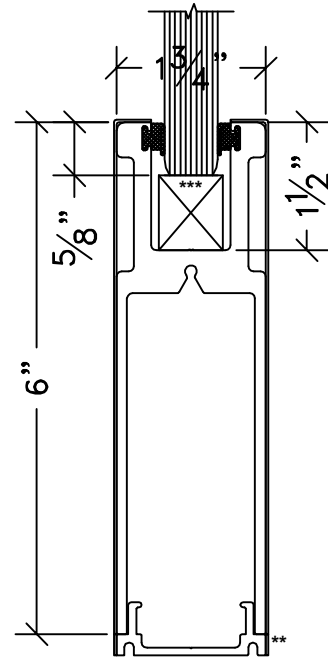
PREVINYLED ECONO SIDELITE RAILS FOR 5/8" GLASS



**3 3/8" PRVINYLED
ECONO SIDELITE RAILS
FOR 5/8" GLASS**



**4" PREVINYLED
ECONO SIDELITE RAILS
FOR 5/8" GLASS**



**6" PREVINYLED
ECONO SIDELITE RAILS
FOR 5/8" GLASS**

NOTE: CAN NOT BE USED AS TOP RAIL WHEN FIELD GLAZING. MUST USE 4" RAIL MODIFIED TO 3 3/8" TALL

*ADDITIONAL SETTING TRACKS AVAILABLE, SEE PAGE R6

**EXTENDED CLADS AND ENDCAPS TO COVER TRACKS AVAILABLE ON REQUEST

***SETTING BLOCKS BY OTHERS

ENTRANCE | METAL
GLASS DOOR SOLUTIONS BY DORALCO

DATE: 07/01/09

JOB NUMBER:
XXXXXX

SHEET:

R12

THIS DETAIL ALONG WITH ITS CONCEPTS, SHAPE AND SIZES ARE THE PROPRIETARY PROPERTY OF ENTRANCE METAL, A DIVISION OF DORALCO, INC. IT MAY NOT BE TRANSFERRED IN ANY FORMAT TO ANY OTHER PERSON OR ENTITY, IN CONCEPTS OR DESIGN. THIS DETAIL IS NOT INTENDED FOR THE PURPOSE OF FABRICATION.

DORALCO

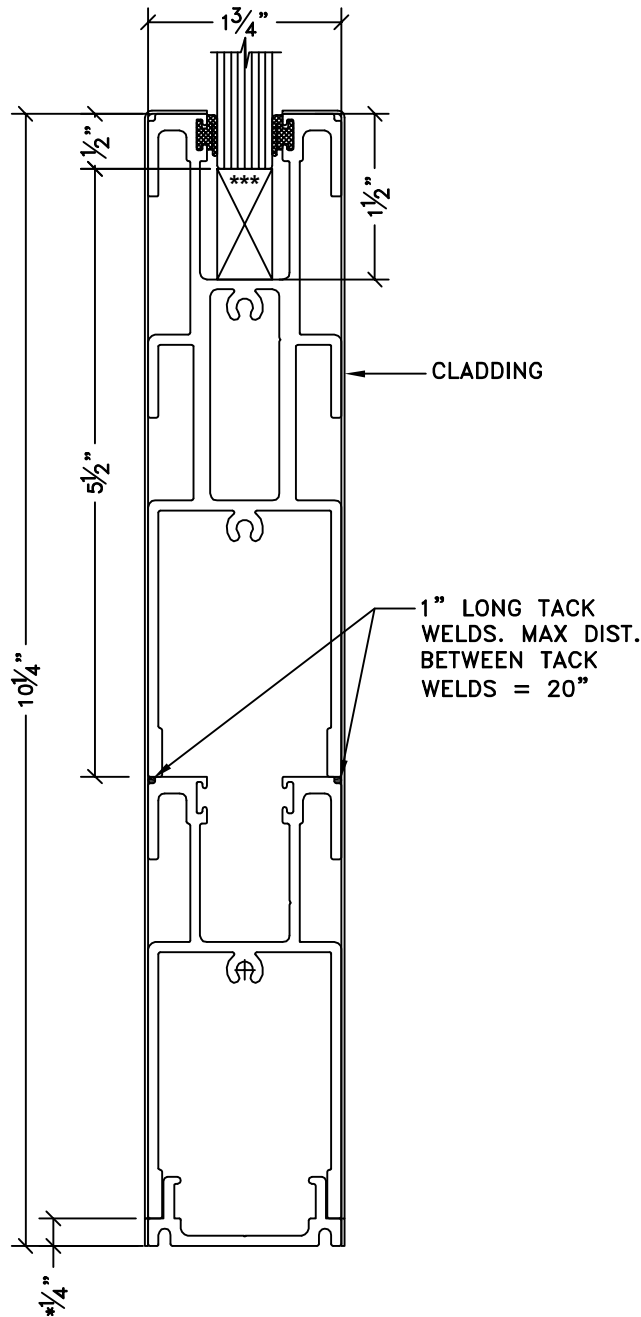
5919 W 118th STREET
ALSIP, IL 60803

Phone: (708) 388-9324

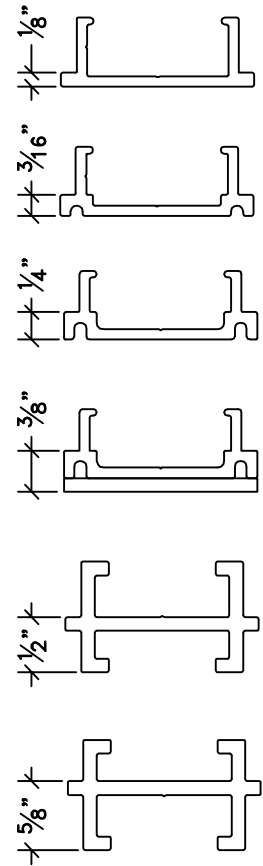
Fax: (708) 388-9392

REFERENCE

10" PREVINYLED SIDELITE RAIL FOR 1/2" GLASS



TRACK OPTIONS



**10" PREVINYLED SIDELITE RAILS
FOR 1/2" GLASS**

***EXTENDED CLADS TO COVER TRACKS & ENDCAPS
AVAILABLE ON REQUEST**

*****SETTING BLOCKS BY OTHERS**

ENTRANCE | METAL
GLASS DOOR SOLUTIONS BY DORALCO

DATE: 07/01/09

JOB NUMBER:
XXXXXX

SHEET:

R14