

THIS DETAIL ALONG WITH ITS CONCEPTS, SHAPE AND SIZES ARE THE PROPRIETARY PROPERTY OF ENTRANCE METAL, A DIVISION OF DORALCO, INC. IT MAY NOT BE TRANSFERRED IN ANY FORMAT TO ANY OTHER PERSON OR ENTITY, IN CONCEPTS OR DESIGN. THIS DETAIL IS NOT INTENDED FOR THE PURPOSE OF FABRICATION.

DORALCO

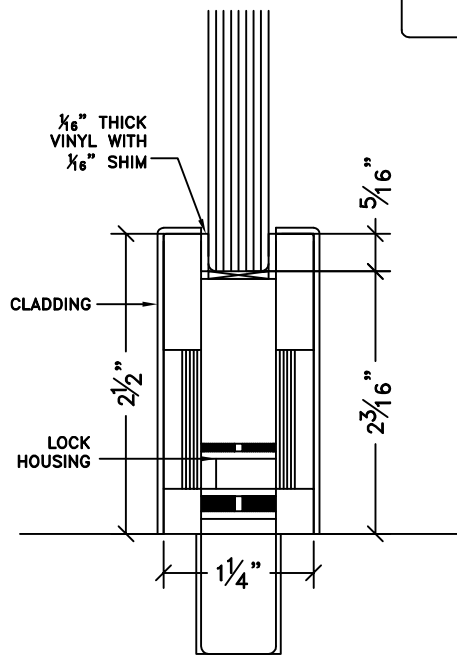
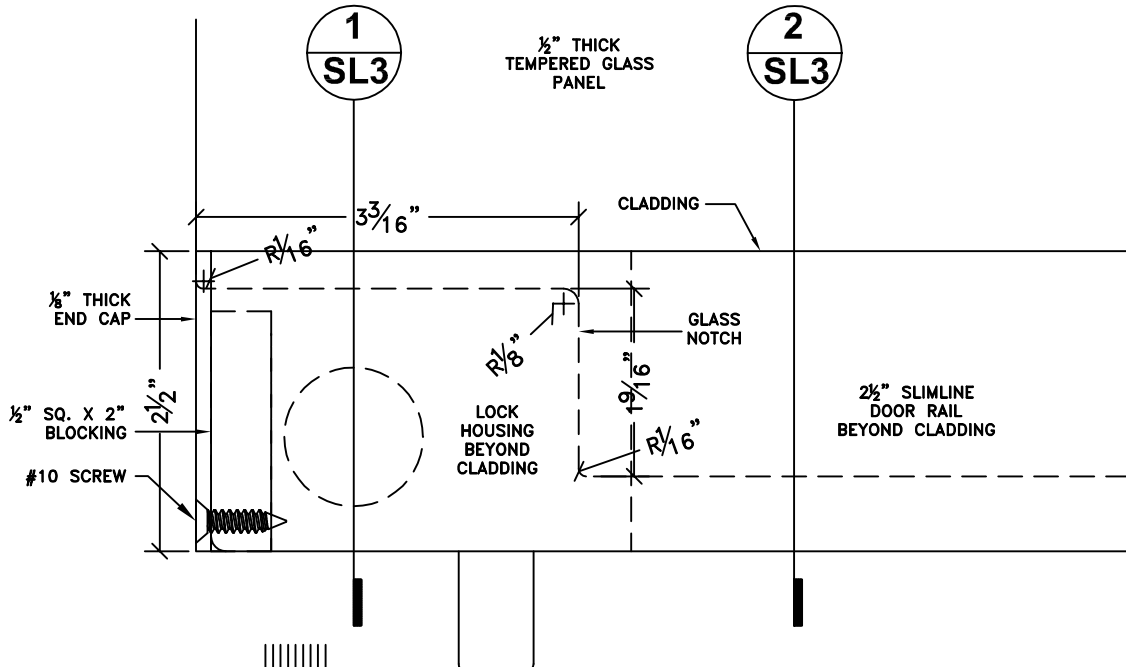
5919 W 118th STREET
ALSIP, IL 60803

Phone: (708) 388-9324

Fax: (708) 388-9392

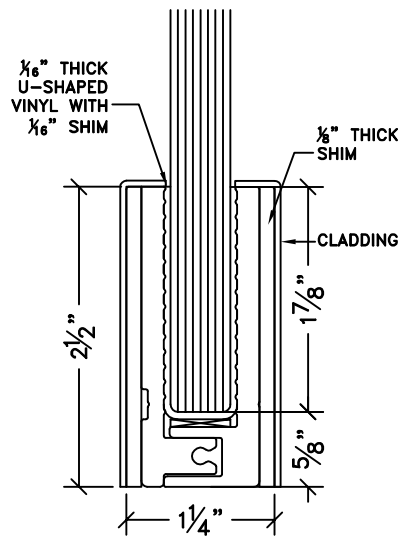
REFERENCE

SLIMLINE DOOR RAIL LOCK ASSEMBLY FOR 1/2" GLASS



2 1/2" SLIMLINE
LOCK ASSEMBLY
FOR 1/2" GLASS

1



2 1/2" SLIMLINE
DOOR RAIL
FOR 1/2" GLASS

2

ENTRANCE | METAL
GLASS DOOR SOLUTIONS BY DORALCO

DATE: 12/01/09

JOB NUMBER:
XXXXXX

SHEET:
SL3