

THIS DETAIL ALONG WITH ITS CONCEPTS, SHAPE AND SIZES ARE THE PROPRIETARY PROPERTY OF ENTRANCE METAL, A DIVISION OF DORALCO, INC. IT MAY NOT BE TRANSFERRED IN ANY FORMAT TO ANY OTHER PERSON OR ENTITY, IN CONCEPTS OR DESIGN. THIS DETAIL IS NOT INTENDED FOR THE PURPOSE OF FABRICATION.

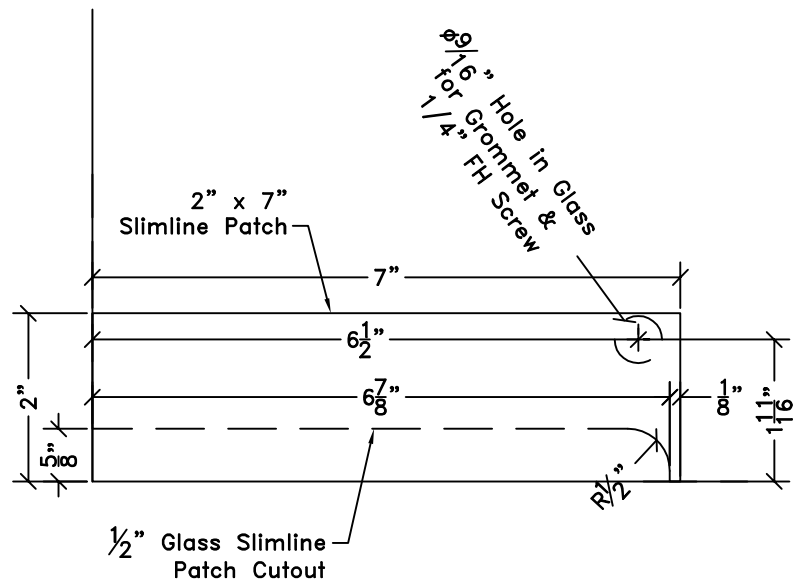
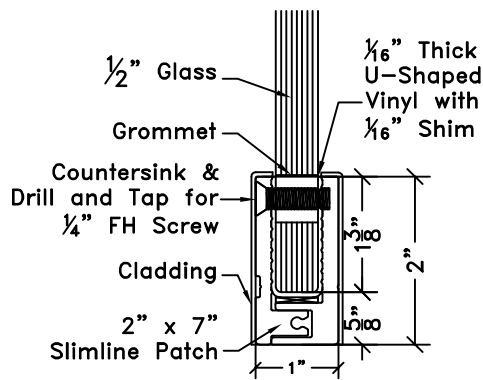
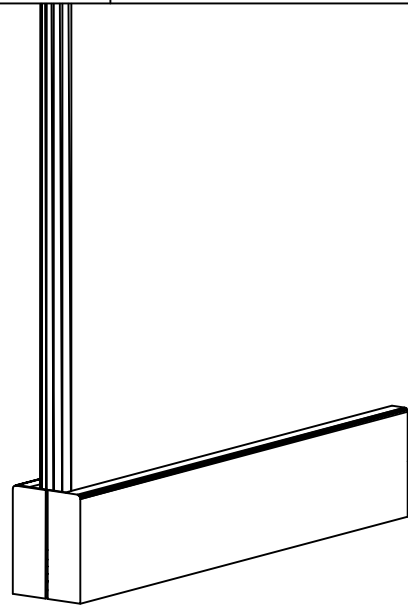
**DORALCO**

5919 W 118th STREET  
ALSIP, IL 60803

Phone: (708) 388-9324  
Fax: (708) 388-9392

REFERENCE

**2" SLIMLINE PATCH DETAIL FOR 1/2" GLASS**



**2" SLIMLINE PATCH  
FOR 1/2" GLASS**

**ENTRANCE | METAL**  
GLASS DOOR SOLUTIONS BY DORALCO

DATE: 12/01/09

JOB NUMBER:  
XXXXXX

SHEET:

SL4