

THIS DETAIL ALONG WITH ITS CONCEPTS, SHAPE AND SIZES ARE THE PROPRIETARY PROPERTY OF ENTRANCE METAL, A DIVISION OF DORALCO, INC. IT MAY NOT BE TRANSFERRED IN ANY FORMAT TO ANY OTHER PERSON OR ENTITY, IN CONCEPTS OR DESIGN. THIS DETAIL IS NOT INTENDED FOR THE PURPOSE OF FABRICATION.

**DORALCO**

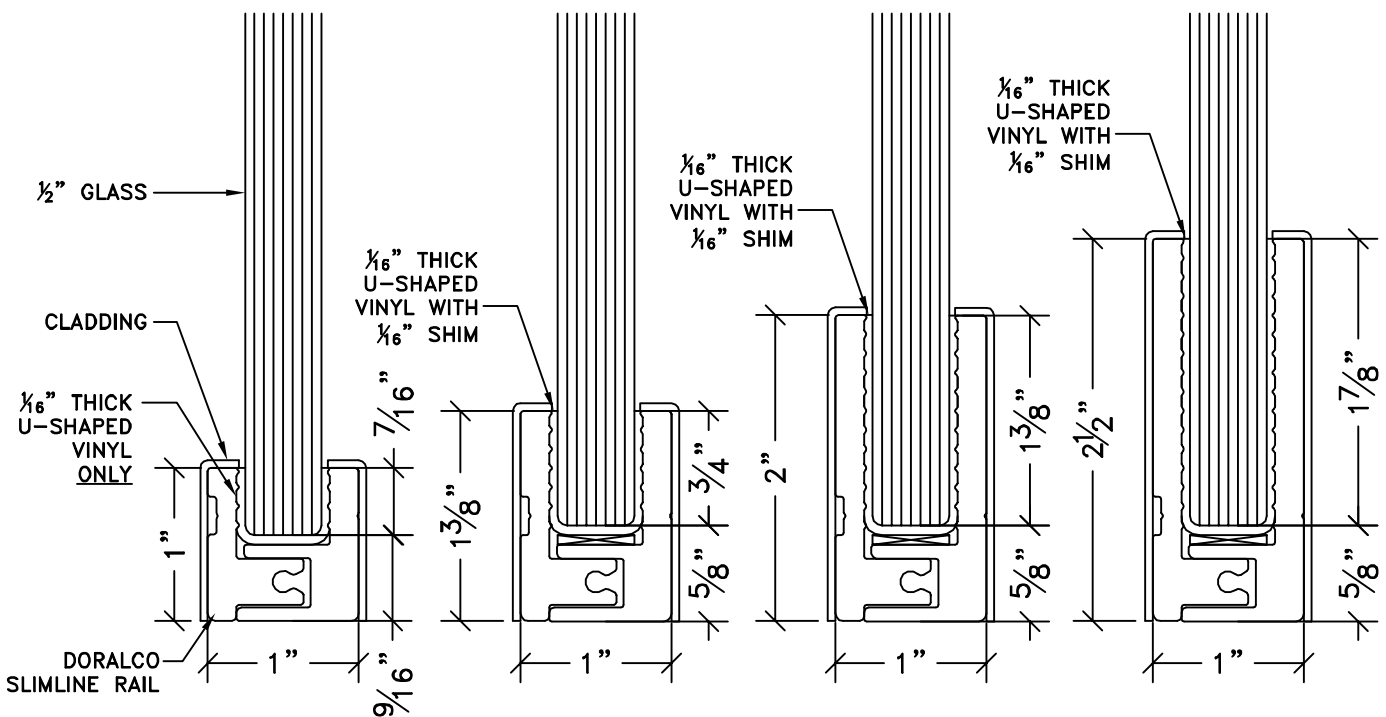
5919 W 118th STREET  
ALSIP, IL 60803

Phone: (708) 388-9324

Fax: (708) 388-9392

REFERENCE

SLIMLINE DOOR RAIL FOR 1/2" GLASS



**1" SLIMLINE DOOR RAIL FOR 1/2" GLASS**

**1 3/8" SLIMLINE DOOR RAIL FOR 1/2" GLASS**

**2" SLIMLINE DOOR RAIL FOR 1/2" GLASS**

**2 1/2" SLIMLINE DOOR RAIL FOR 1/2" GLASS**

**ENTRANCE | METAL**  
GLASS DOOR SOLUTIONS BY DORALCO

DATE: 07/01/09

JOB NUMBER: XXXXXX

SHEET:

SL1

THIS DETAIL ALONG WITH ITS CONCEPTS, SHAPE AND SIZES ARE THE PROPRIETARY PROPERTY OF ENTRANCE METAL, A DIVISION OF DORALCO, INC. IT MAY NOT BE TRANSFERRED IN ANY FORMAT TO ANY OTHER PERSON OR ENTITY, IN CONCEPTS OR DESIGN. THIS DETAIL IS NOT INTENDED FOR THE PURPOSE OF FABRICATION.

**DORALCO**

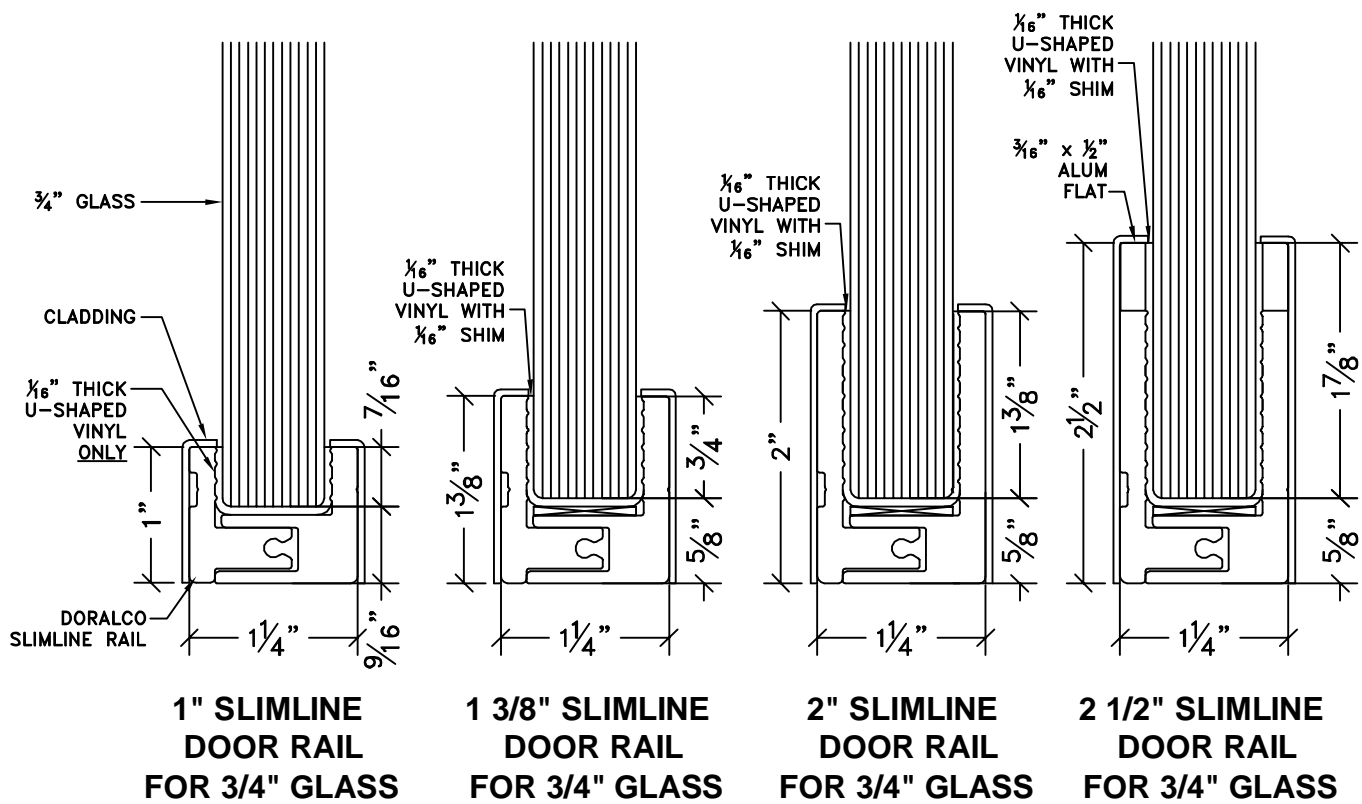
5919 W 118th STREET  
ALSIP, IL 60803

Phone: (708) 388-9324

Fax: (708) 388-9392

REFERENCE

**SLIMLINE DOOR RAIL FOR 3/4" GLASS**



**ENTRANCE | METAL**  
GLASS DOOR SOLUTIONS BY DORALCO

DATE: 07/01/09

JOB NUMBER:  
XXXXXX

SHEET:

SL2

THIS DETAIL ALONG WITH ITS CONCEPTS, SHAPE AND SIZES ARE THE PROPRIETARY PROPERTY OF ENTRANCE METAL, A DIVISION OF DORALCO, INC. IT MAY NOT BE TRANSFERRED IN ANY FORMAT TO ANY OTHER PERSON OR ENTITY, IN CONCEPTS OR DESIGN. THIS DETAIL IS NOT INTENDED FOR THE PURPOSE OF FABRICATION.

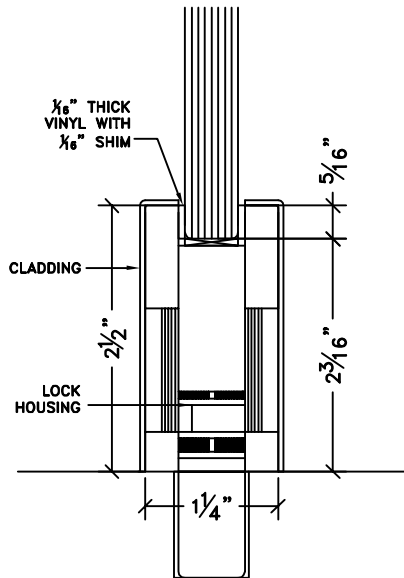
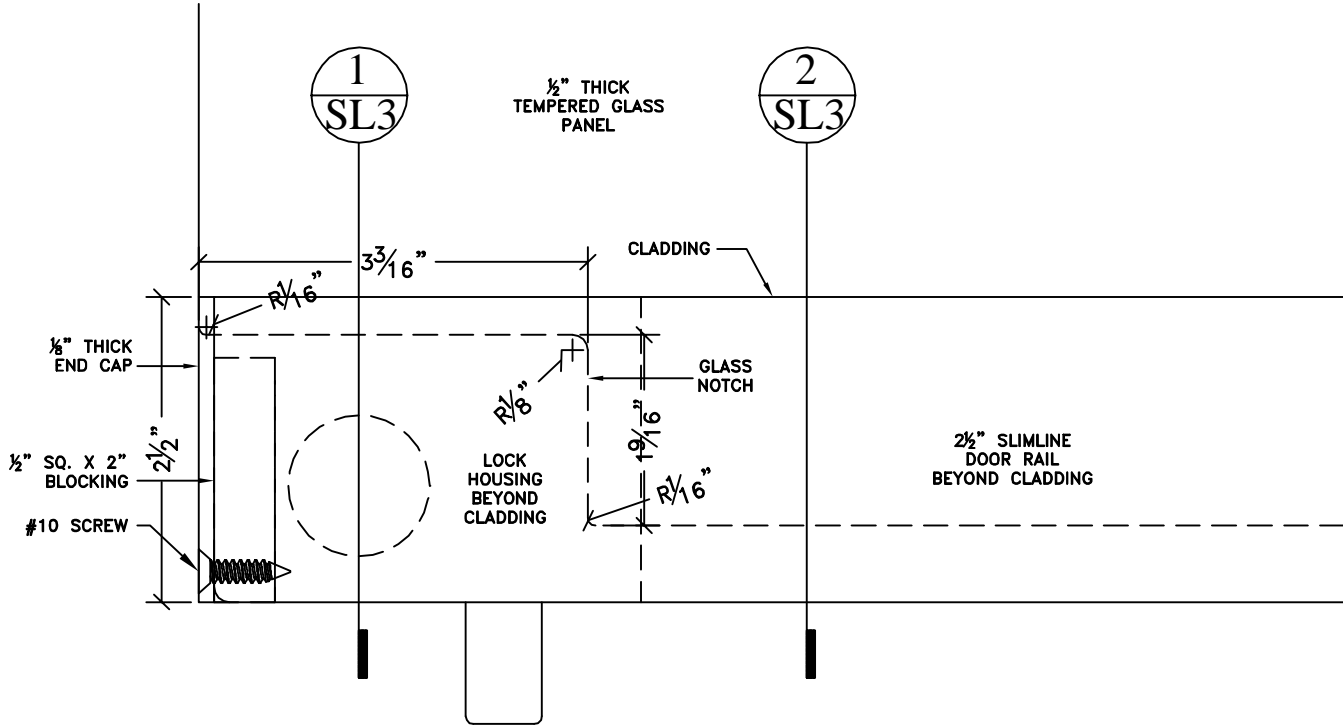
**DORALCO**

5919 W 118th STREET  
ALSIP, IL 60803

Phone: (708) 388-9324  
Fax: (708) 388-9392

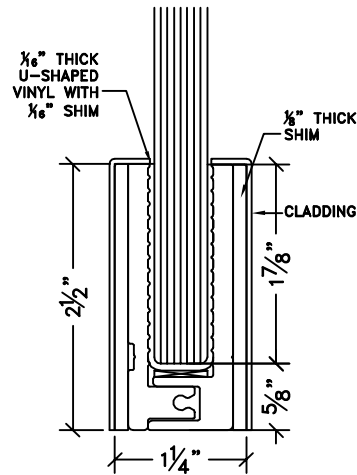
REFERENCE

SLIMLINE DOOR RAIL LOCK ASSEMBLY FOR 1/2" GLASS



2 1/2" SLIMLINE  
LOCK ASSEMBLY  
FOR 1/2" GLASS

1



2 1/2" SLIMLINE  
DOOR RAIL  
FOR 1/2" GLASS

2

ENTRANCE | METAL  
GLASS DOOR SOLUTIONS BY DORALCO

DATE: 07/01/09

JOB NUMBER:  
XXXXXX

SHEET:

SL3

THIS DETAIL ALONG WITH ITS CONCEPTS, SHAPE AND SIZES ARE THE PROPRIETARY PROPERTY OF ENTRANCE METAL, A DIVISION OF DORALCO, INC. IT MAY NOT BE TRANSFERRED IN ANY FORMAT TO ANY OTHER PERSON OR ENTITY, IN CONCEPTS OR DESIGN. THIS DETAIL IS NOT INTENDED FOR THE PURPOSE OF FABRICATION.

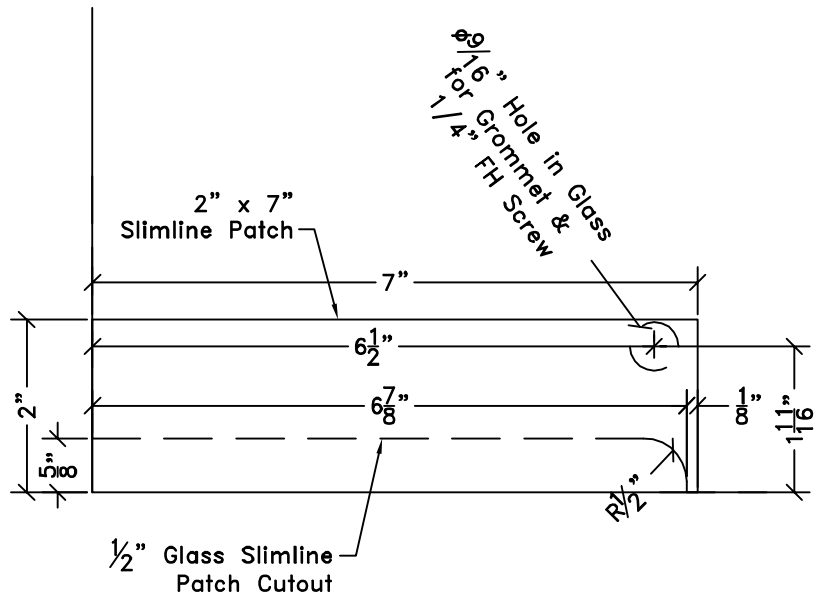
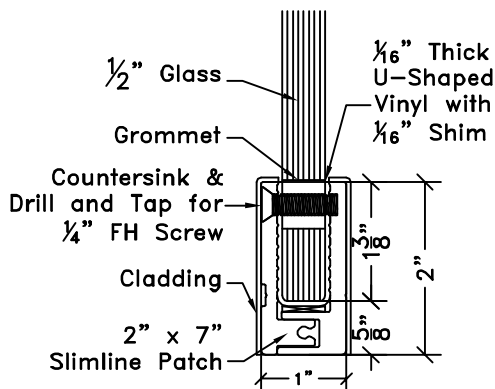
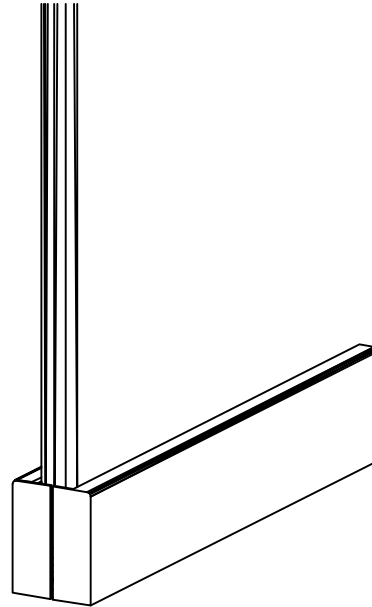
**DORALCO**

5919 W 118th STREET  
ALSIP, IL 60803

Phone: (708) 388-9324  
Fax: (708) 388-9392

REFERENCE

2" SLIMLINE PATCH DETAIL FOR 1/2" GLASS



2" SLIMLINE PATCH  
FOR 1/2" GLASS

ENTRANCE | METAL  
GLASS DOOR SOLUTIONS BY DORALCO

DATE: 07/01/09

JOB NUMBER:  
XXXXXX

SHEET:

SL4