

THIS DETAIL ALONG WITH ITS CONCEPTS, SHAPE AND SIZES ARE THE PROPRIETARY PROPERTY OF ENTRANCE METAL, A DIVISION OF DORALCO, INC. IT MAY NOT BE TRANSFERRED IN ANY FORMAT TO ANY OTHER PERSON OR ENTITY, IN CONCEPTS OR DESIGN. THIS DETAIL IS NOT INTENDED FOR THE PURPOSE OF FABRICATION.

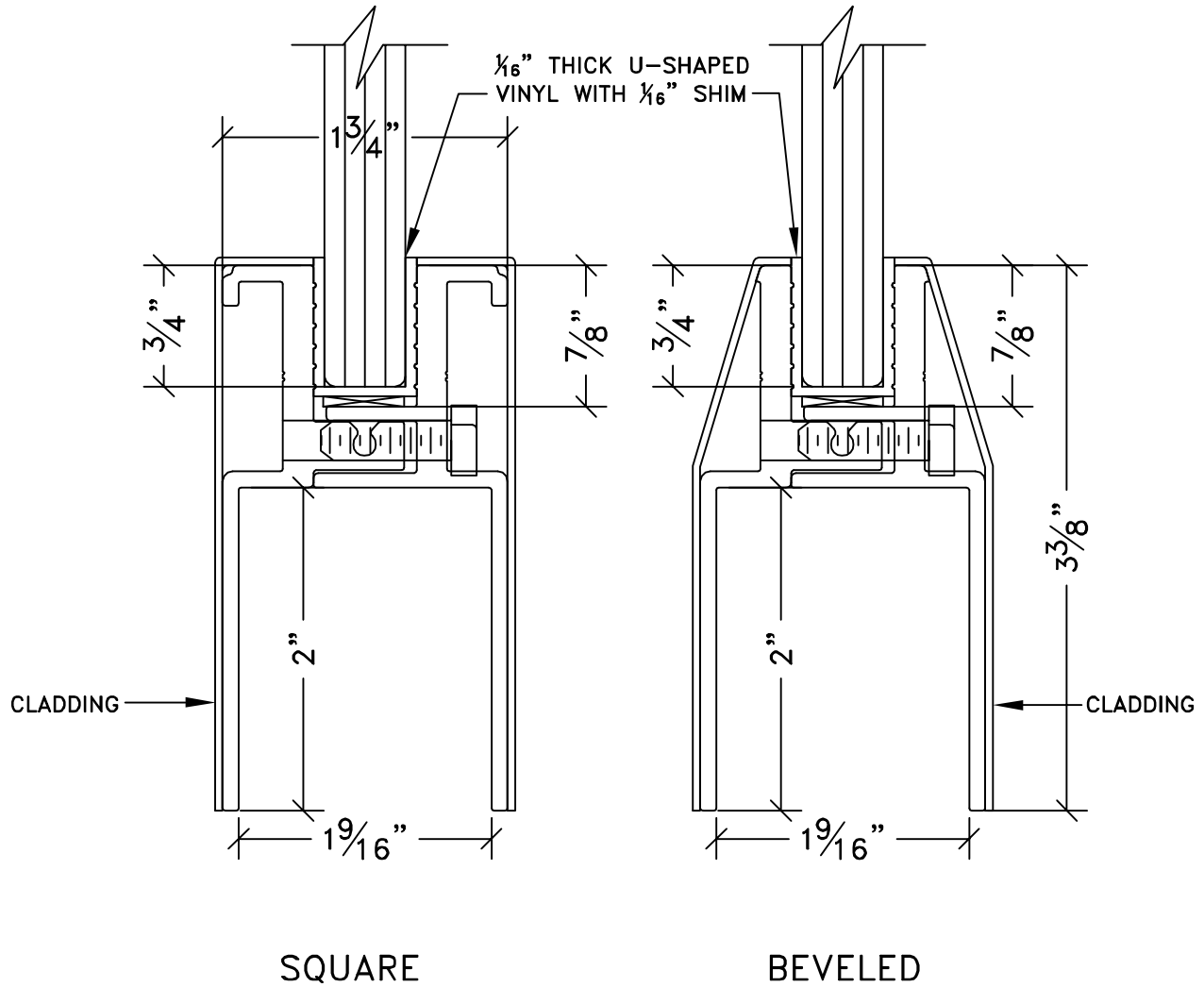
DORALCO

5919 W 118th STREET
ALSIP, IL 60803

Phone: (708) 388-9324
Fax: (708) 388-9392

REFERENCE

3 3/8" SURE GRIP DOOR RAIL FOR 1/2" GLASS



3 3/8" SURE-GRIP DOOR RAILS FOR 1/2" GLASS

ENTRANCE | METAL
GLASS DOOR SOLUTIONS BY DORALCO

DATE: 07/01/09

JOB NUMBER:
XXXXXX

SHEET:

R1

THIS DETAIL ALONG WITH ITS CONCEPTS, SHAPE AND SIZES ARE THE PROPRIETARY PROPERTY OF ENTRANCE METAL, A DIVISION OF DORALCO, INC. IT MAY NOT BE TRANSFERRED IN ANY FORMAT TO ANY OTHER PERSON OR ENTITY, IN CONCEPTS OR DESIGN. THIS DETAIL IS NOT INTENDED FOR THE PURPOSE OF FABRICATION.

DORALCO

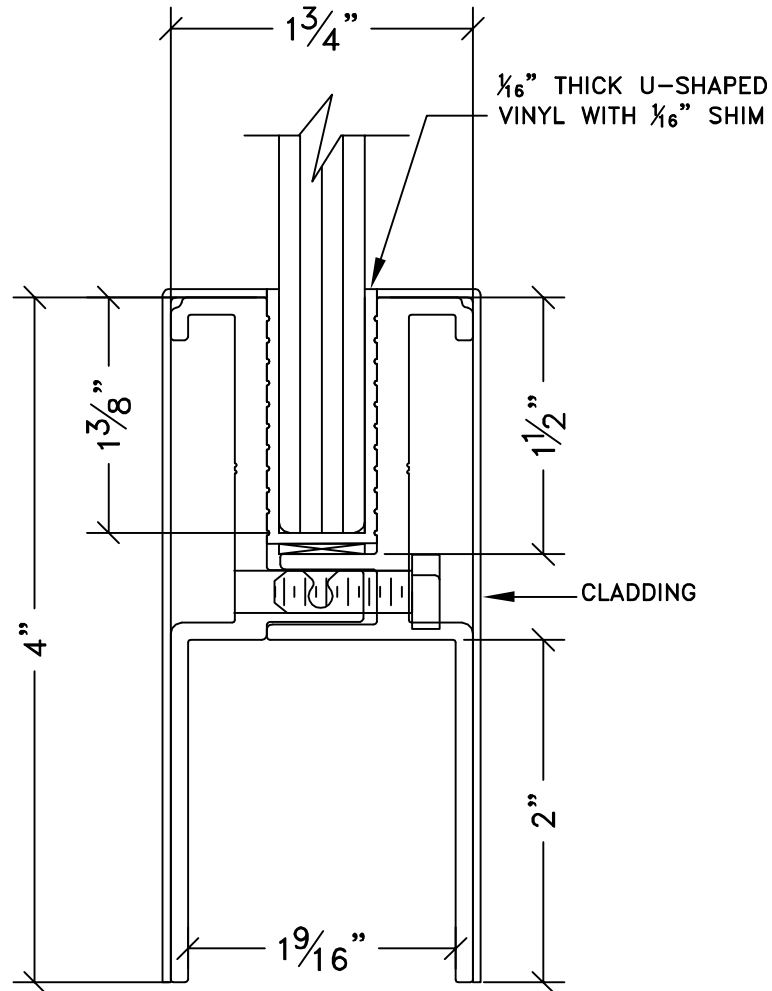
5919 W 118th STREET
ALSIP, IL 60803

Phone: (708) 388-9324

Fax: (708) 388-9392

REFERENCE

4" SURE GRIP DOOR RAIL FOR 1/2" GLASS



**4" SURE-GRIP
DOOR RAIL
FOR 1/2" GLASS**

ENTRANCE | METAL
GLASS DOOR SOLUTIONS BY DORALCO

DATE: 07/01/09

JOB NUMBER:
XXXXXX

SHEET:

R2

THIS DETAIL ALONG WITH ITS CONCEPTS, SHAPE AND SIZES ARE THE PROPRIETARY PROPERTY OF ENTRANCE METAL, A DIVISION OF DORALCO, INC. IT MAY NOT BE TRANSFERRED IN ANY FORMAT TO ANY OTHER PERSON OR ENTITY, IN CONCEPTS OR DESIGN. THIS DETAIL IS NOT INTENDED FOR THE PURPOSE OF FABRICATION.

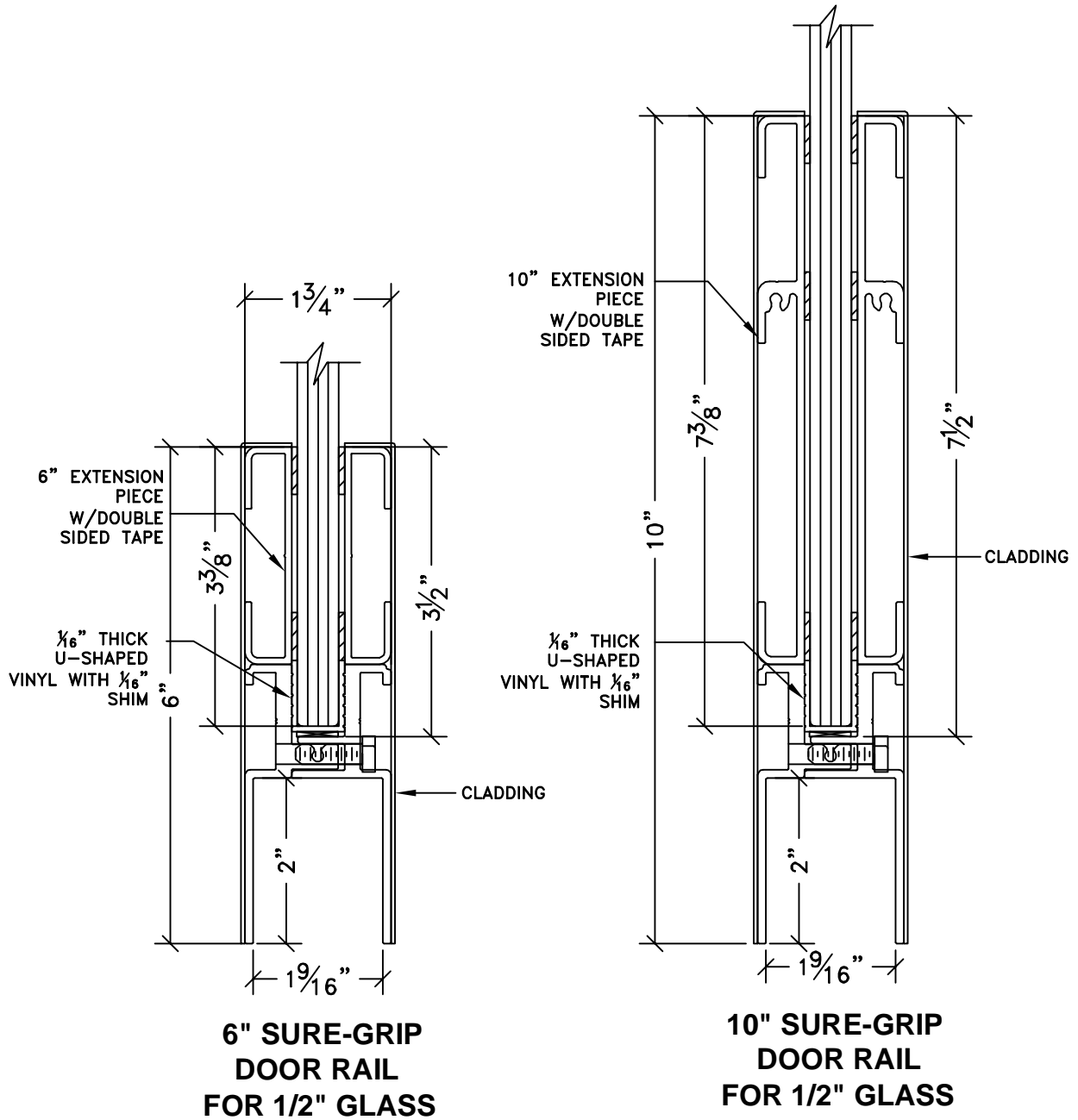
DORALCO

5919 W 118th STREET
ALSIP, IL 60803

Phone: (708) 388-9324
Fax: (708) 388-9392

REFERENCE

6" & 10" SURE GRIP DOOR RAIL FOR 1/2" GLASS



ENTRANCE | METAL
GLASS DOOR SOLUTIONS BY DORALCO

DATE: 07/01/09

JOB NUMBER:
XXXXXX

SHEET:

R3

THIS DETAIL ALONG WITH ITS CONCEPTS, SHAPE AND SIZES ARE THE PROPRIETARY PROPERTY OF ENTRANCE METAL, A DIVISION OF DORALCO, INC. IT MAY NOT BE TRANSFERRED IN ANY FORMAT TO ANY OTHER PERSON OR ENTITY, IN CONCEPTS OR DESIGN. THIS DETAIL IS NOT INTENDED FOR THE PURPOSE OF FABRICATION.

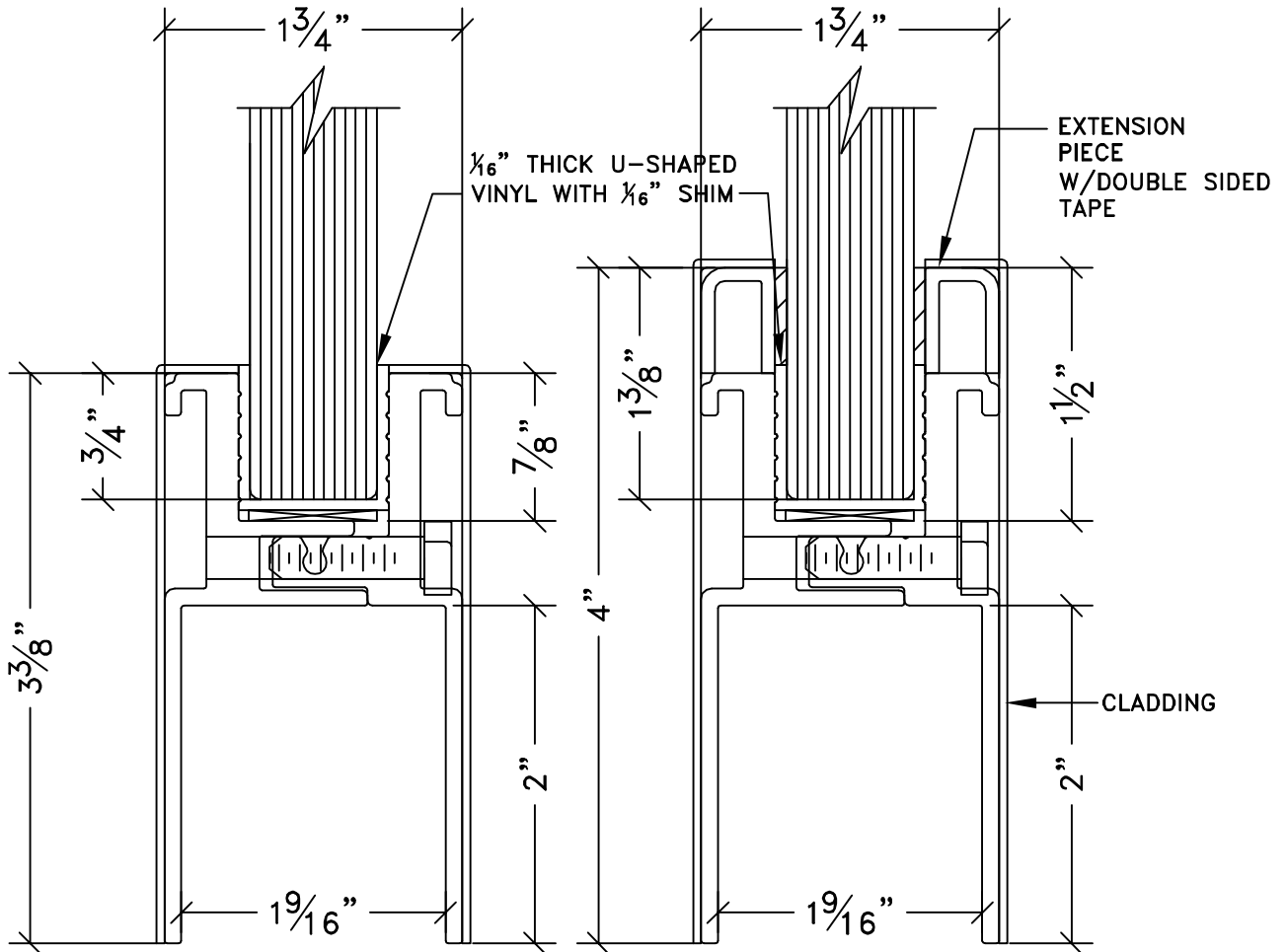
DORALCO

5919 W 118th STREET
ALSIP, IL 60803

Phone: (708) 388-9324
Fax: (708) 388-9392

REFERENCE

3 3/8" & 4" SURE GRIP DOOR RAIL FOR 3/4" GLASS



**3 3/8" SURE-GRIP
DOOR RAIL
FOR 3/4" GLASS**

**4" SURE-GRIP
DOOR RAIL
FOR 3/4" GLASS**

ENTRANCE | METAL
GLASS DOOR SOLUTIONS BY DORALCO

DATE: 07/01/09

JOB NUMBER:
XXXXXX

SHEET:

R4

THIS DETAIL ALONG WITH ITS CONCEPTS, SHAPE AND SIZES ARE THE PROPRIETARY PROPERTY OF ENTRANCE METAL, A DIVISION OF DORALCO, INC. IT MAY NOT BE TRANSFERRED IN ANY FORMAT TO ANY OTHER PERSON OR ENTITY, IN CONCEPTS OR DESIGN. THIS DETAIL IS NOT INTENDED FOR THE PURPOSE OF FABRICATION.

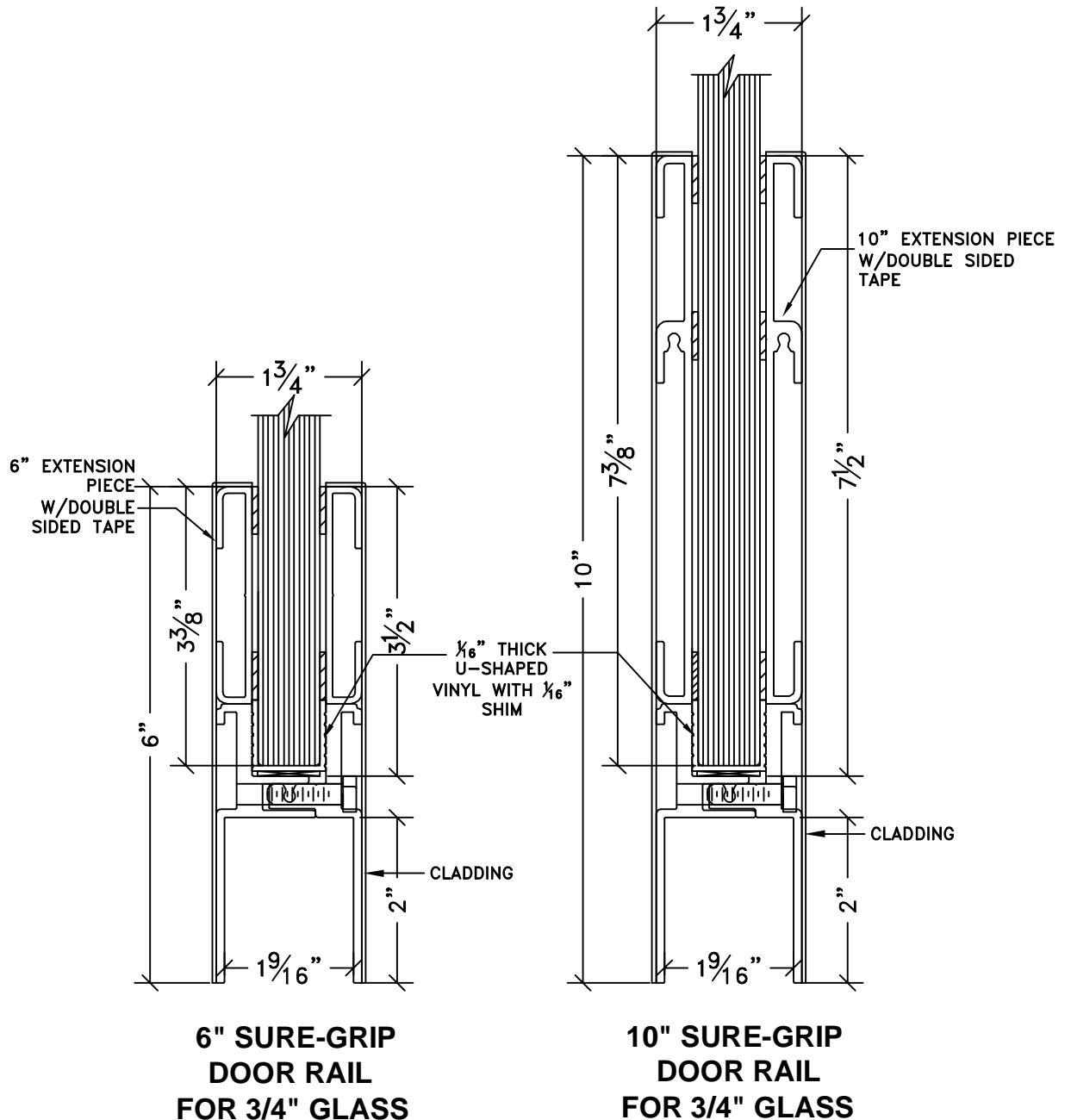
DORALCO

5919 W 118th STREET
ALSIP, IL 60803

Phone: (708) 388-9324
Fax: (708) 388-9392

REFERENCE

6" & 10" SURE GRIP DOOR RAIL FOR 3/4" GLASS



ENTRANCE | METAL
GLASS DOOR SOLUTIONS BY DORALCO

DATE: 07/01/09

JOB NUMBER:
XXXXXX

SHEET:

R5

THIS DETAIL ALONG WITH ITS CONCEPTS, SHAPE AND SIZES ARE THE PROPRIETARY PROPERTY OF ENTRANCE METAL, A DIVISION OF DORALCO, INC. IT MAY NOT BE TRANSFERRED IN ANY FORMAT TO ANY OTHER PERSON OR ENTITY, IN CONCEPTS OR DESIGN. THIS DETAIL IS NOT INTENDED FOR THE PURPOSE OF FABRICATION.

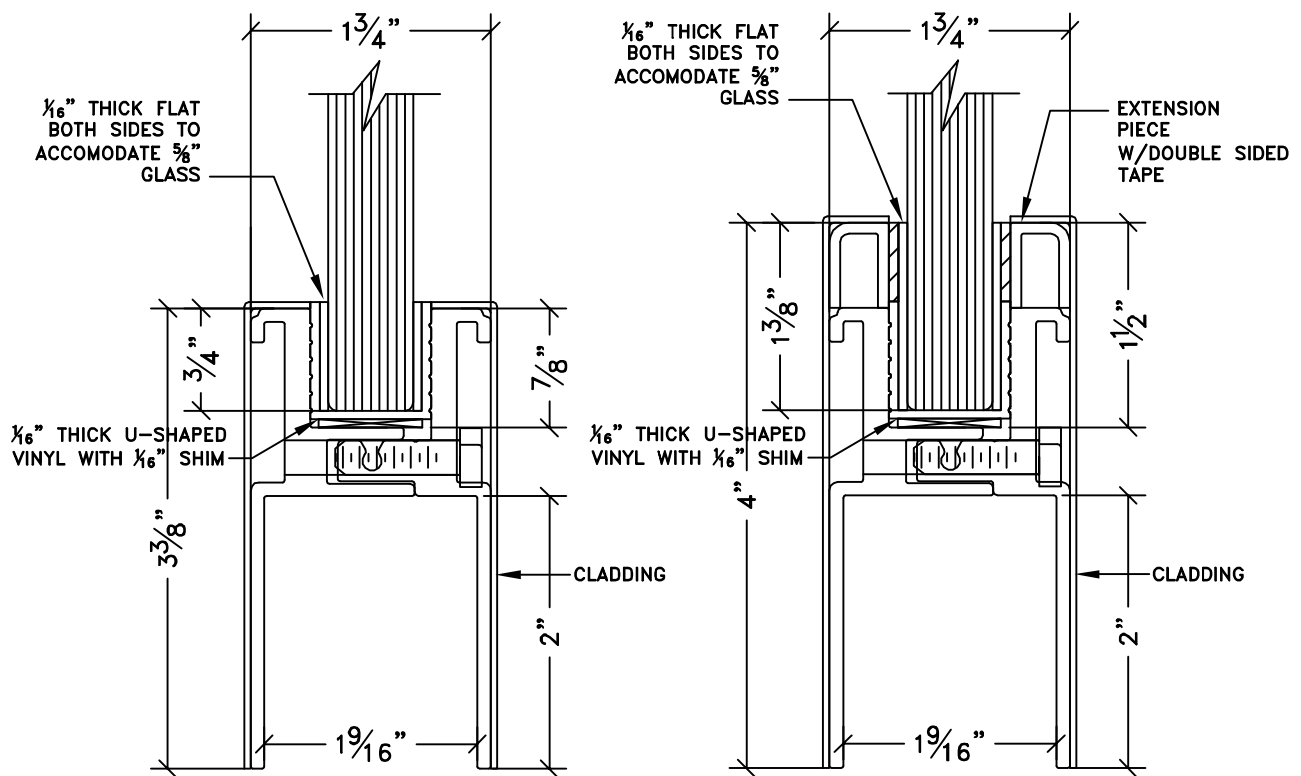
DORALCO

5919 W 118th STREET
ALSIP, IL 60803

Phone: (708) 388-9324
Fax: (708) 388-9392

REFERENCE

3 3/8" & 4" SURE GRIP DOOR RAIL FOR 5/8" GLASS



**3 3/8" SURE-GRIP
DOOR RAIL
FOR 5/8" GLASS**

**4" SURE-GRIP
DOOR RAIL
FOR 5/8" GLASS**

ENTRANCE | METAL
GLASS DOOR SOLUTIONS BY DORALCO

DATE: 07/01/09

JOB NUMBER:
XXXXXX

SHEET:

R13