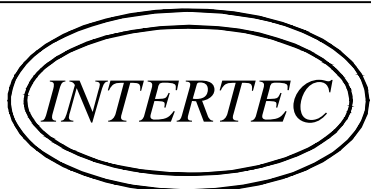


1 Solar Sunshade Detail
 Section View
 Outrigger Option #1



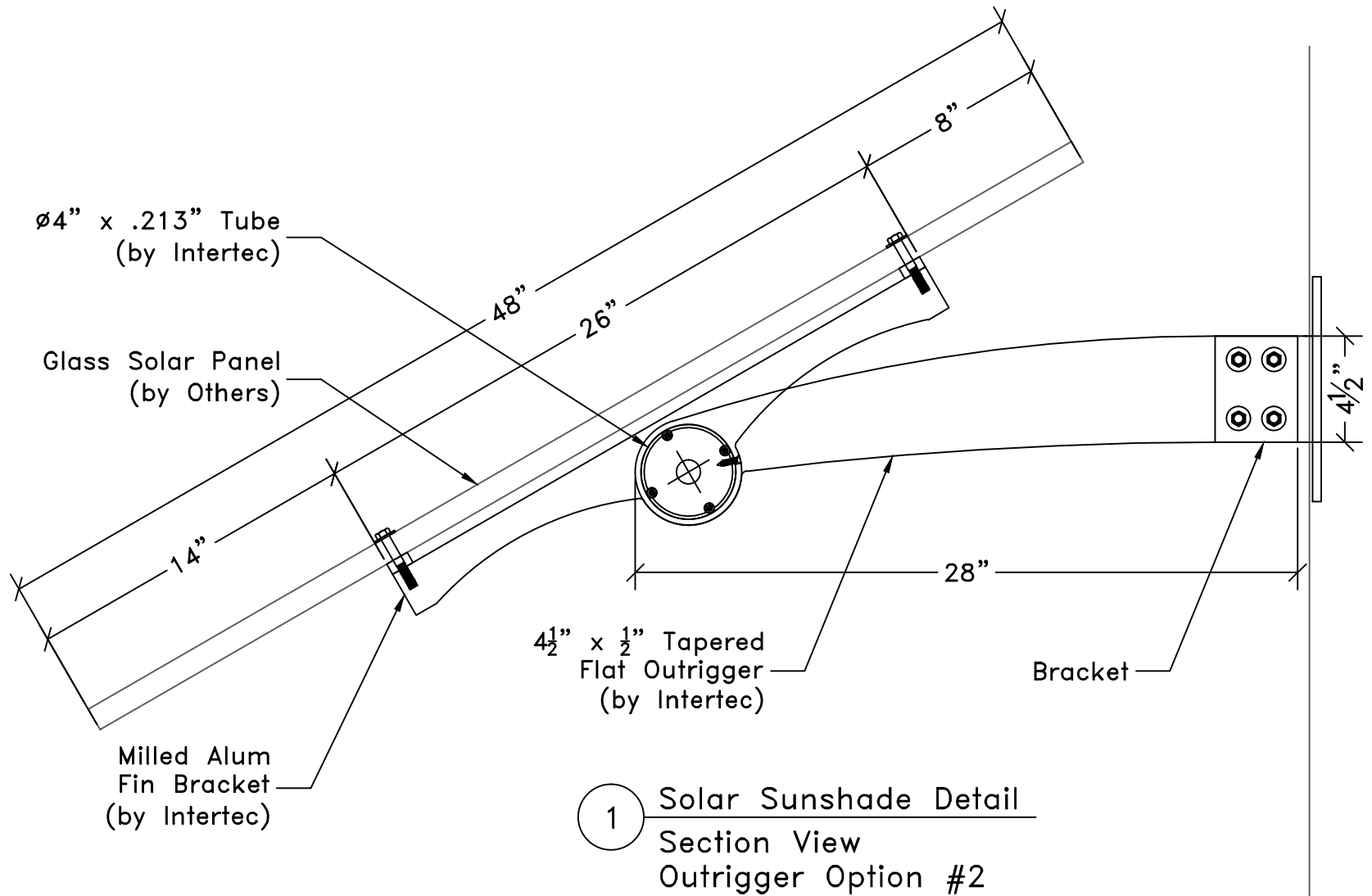
A Division of **DORALCO**
 5919 W 118th STREET
 ALSIP, IL 60803
 Phone: (708) 388-9324
 Fax: (708) 388-9392

THIS DETAIL ALONG WITH ITS CONCEPTS, SHAPE AND SIZES ARE THE PROPRIETARY PROPERTY OF INTERTEC, A DIVISION OF DORALCO, INC. IT MAY NOT BE TRANSFERRED IN ANY FORMAT TO ANY OTHER PERSON OR ENTITY, IN CONCEPTS OR DESIGN. THIS DETAIL IS NOT INTENDED FOR THE PURPOSE OF FABRICATION.
 REFERENCE

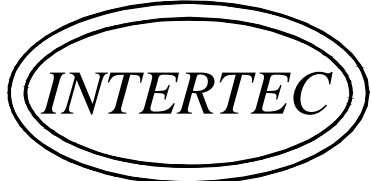
Solar Shading System

DATE: 4/5/2011
 JOB NUMBER: XXXXXX
 SHEET:

D1



1 Solar Sunshade Detail
 Section View
 Outrigger Option #2



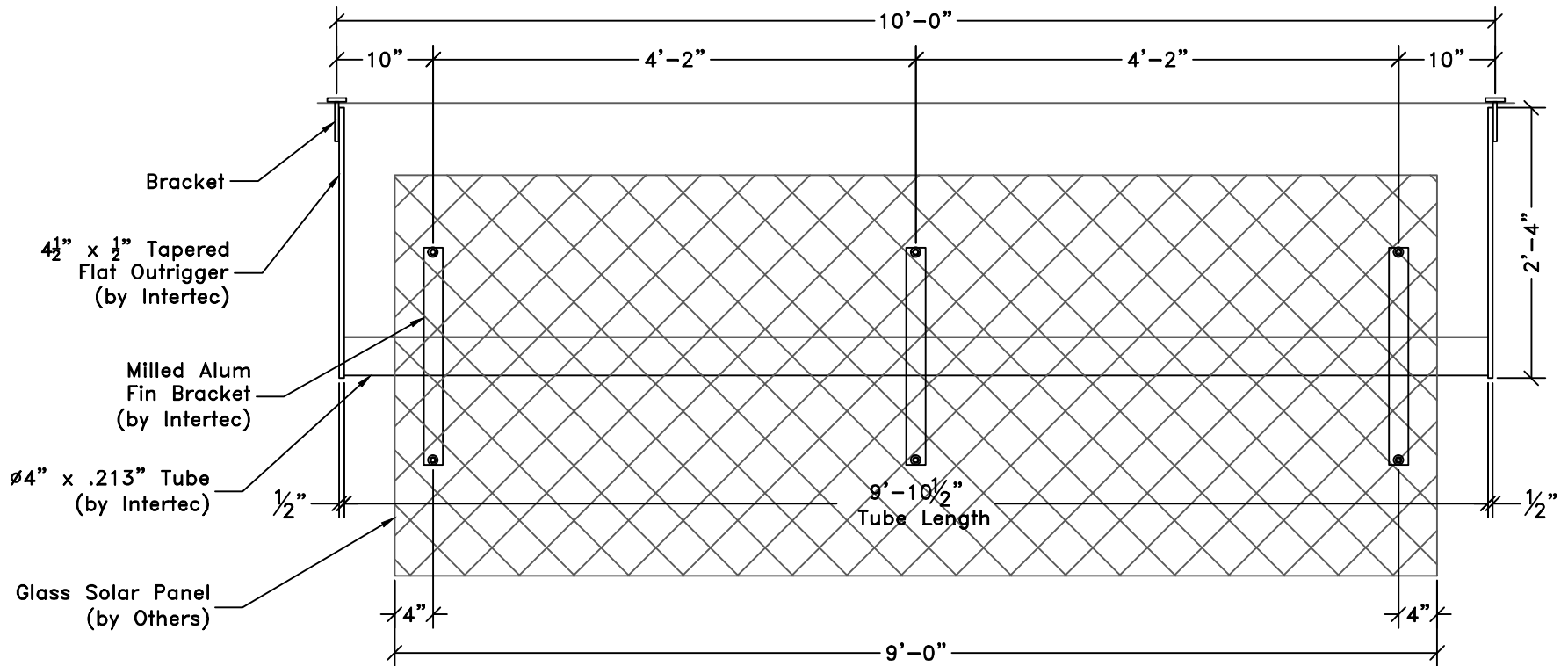
A Division of **DORALCO**
 5919 W 118th STREET
 ALSIP, IL 60803
 Phone: (708) 388-9324
 Fax: (708) 388-9392

THIS DETAIL ALONG WITH ITS CONCEPTS, SHAPE AND SIZES ARE THE PROPRIETARY PROPERTY OF INTERTEC, A DIVISION OF DORALCO, INC. IT MAY NOT BE TRANSFERRED IN ANY FORMAT TO ANY OTHER PERSON OR ENTITY, IN CONCEPTS OR DESIGN. THIS DETAIL IS NOT INTENDED FOR THE PURPOSE OF FABRICATION.
 REFERENCE

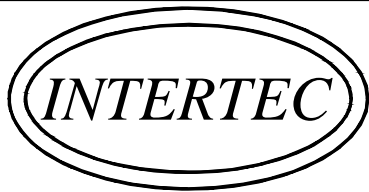
Solar Shading System

DATE: 4/5/2011
 JOB NUMBER: XXXXXX
 SHEET:

D2



1 Solar Sunshade Detail
Plan View



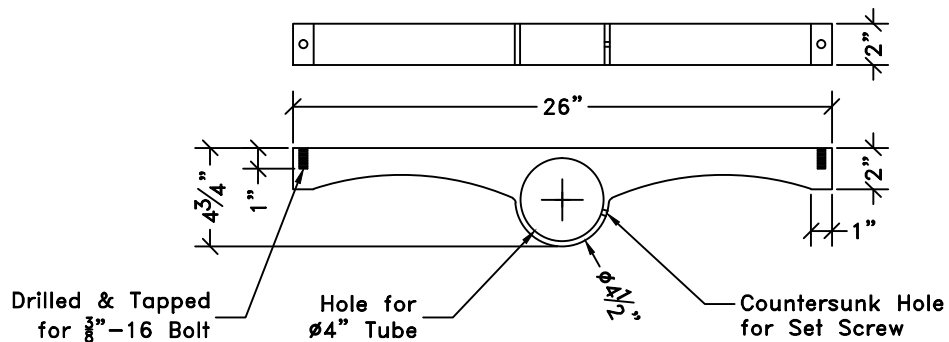
A Division of *DORALCO*
 5919 W 118th STREET
 ALSIP, IL 60803
 Phone: (708) 388-9324
 Fax: (708) 388-9392

THIS DETAIL ALONG WITH ITS CONCEPTS, SHAPE AND SIZES ARE THE PROPRIETARY PROPERTY OF INTERTEC, A DIVISION OF DORALCO, INC. IT MAY NOT BE TRANSFERRED IN ANY FORMAT TO ANY OTHER PERSON OR ENTITY, IN CONCEPTS OR DESIGN. THIS DETAIL IS NOT INTENDED FOR THE PURPOSE OF FABRICATION.
 REFERENCE

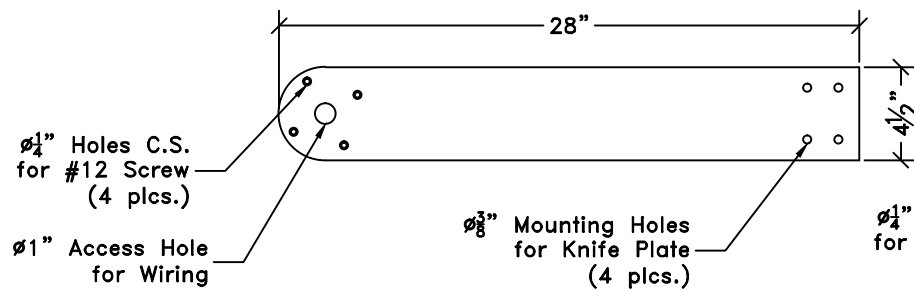
Solar Shading System

DATE:
4/5/2011
 JOB NUMBER:
XXXXXX
 SHEET:

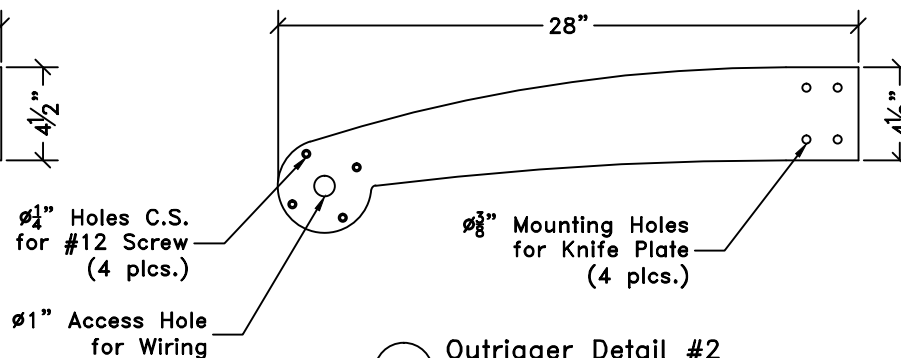
D3



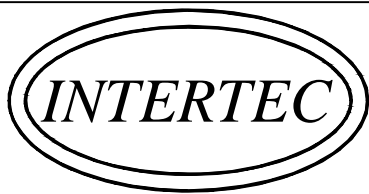
1 Fin Bracket Detail
Material: 6061-T6 Alum



2 Outrigger Detail #1
Material: 6061-T6 Alum



3 Outrigger Detail #2
Material: 6061-T6 Alum



A Division of **DORALCO**
5919 W 118th STREET
ALSIP, IL 60803
Phone: (708) 388-9324
Fax: (708) 388-9392

THIS DETAIL ALONG WITH ITS CONCEPTS, SHAPE AND SIZES ARE THE PROPRIETARY PROPERTY OF INTERTEC, A DIVISION OF DORALCO, INC. IT MAY NOT BE TRANSFERRED IN ANY FORMAT TO ANY OTHER PERSON OR ENTITY, IN CONCEPTS OR DESIGN. THIS DETAIL IS NOT INTENDED FOR THE PURPOSE OF FABRICATION.
REFERENCE

Solar Shading System

DATE: 4/5/2011
JOB NUMBER: XXXXXX
SHEET:

D4