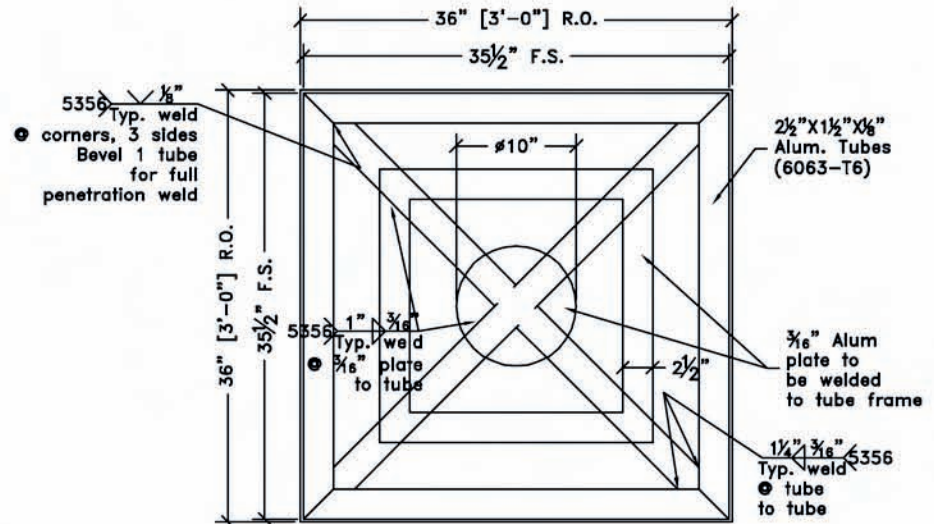


6a) **Tube Grille 1**
 Material: 6063-T6 (min.)
 Finish: Kynar 2ct.
 Banding: 2 1/2" X 1 1/2" X 1/8" Alum Tube
 Infill: 2 1/2" X 1 1/2" x 1/8" Alum Tube



6b) **Tube Grille 2**
 Material: 6063-T6 (min.)
 Finish: Kynar 2ct.
 Banding: 2 1/2" X 1 1/2" X 1/8" Alum Tube
 Infill 1: 2 1/2" X 1 1/2" X 1/8" Alum Tube
 Infill 2: 3/16" thk. Alum Plate (3003-H14)



A Division of **DORALCO**
 5919 W 118th STREET
 ALSIP, IL 60803
 Phone: (708) 388-9324
 Fax: (708) 388-9392

THIS DETAIL ALONG WITH ITS CONCEPTS, SHAPE AND SIZES ARE THE PROPRIETARY PROPERTY OF INTERTEC, A DIVISION OF DORALCO, INC. IT MAY NOT BE TRANSFERRED IN ANY FORMAT TO ANY OTHER PERSON OR ENTITY, IN CONCEPTS OR DESIGN. THIS DETAIL IS NOT INTENDED FOR THE PURPOSE OF FABRICATION.
 REFERENCE

Tube Grilles

DATE: 12/01/09
 JOB NUMBER: xxxxxxxx
 SHEET:

D6