

THIS DETAIL ALONG WITH ITS CONCEPTS, SHAPE AND SIZES ARE THE PROPRIETARY PROPERTY OF ENTRANCE METAL, A DIVISION OF DORALCO, INC. IT MAY NOT BE TRANSFERRED IN ANY FORMAT TO ANY OTHER PERSON OR ENTITY, IN CONCEPTS OR DESIGN. THIS DETAIL IS NOT INTENDED FOR THE PURPOSE OF FABRICATION.

DORALCO

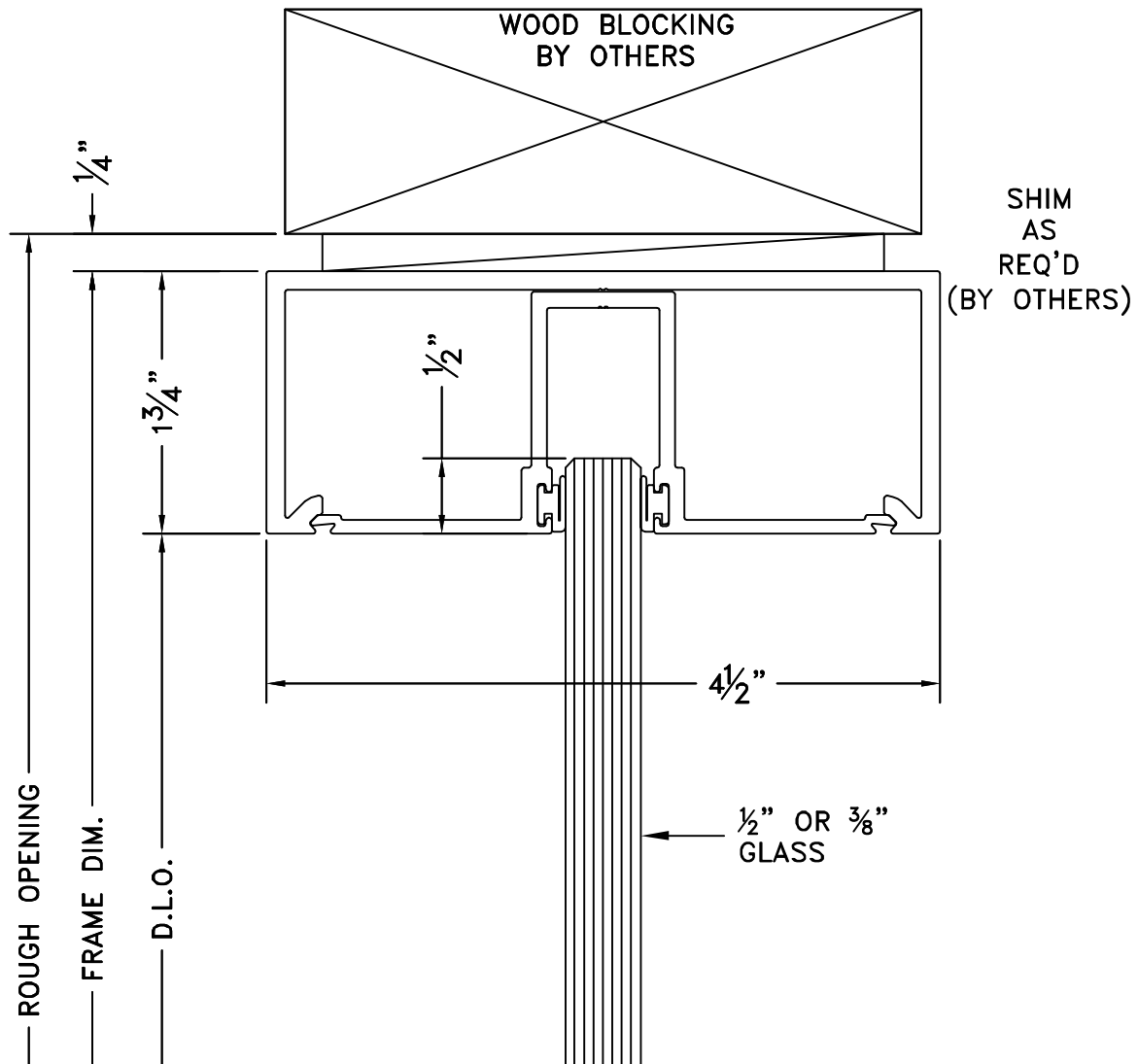
5919 W 118th STREET
ALSIP, IL 60803

Phone: (708) 388-9324

Fax: (708) 388-9392

REFERENCE

1 3/4" x 4 1/2" SIDELITE SNAP-IN HEADER DETAILS



1 3/4" X 4 1/2" SNAP-IN HEADER AT SIDELITE DETAIL

ENTRANCE | METAL
GLASS DOOR SOLUTIONS BY DORALCO

DATE: 07/01/09

JOB NUMBER:
XXXXXX

SHEET:

H1

THIS DETAIL ALONG WITH ITS CONCEPTS, SHAPE AND SIZES ARE THE PROPRIETARY PROPERTY OF ENTRANCE METAL, A DIVISION OF DORALCO, INC. IT MAY NOT BE TRANSFERRED IN ANY FORMAT TO ANY OTHER PERSON OR ENTITY, IN CONCEPTS OR DESIGN. THIS DETAIL IS NOT INTENDED FOR THE PURPOSE OF FABRICATION.

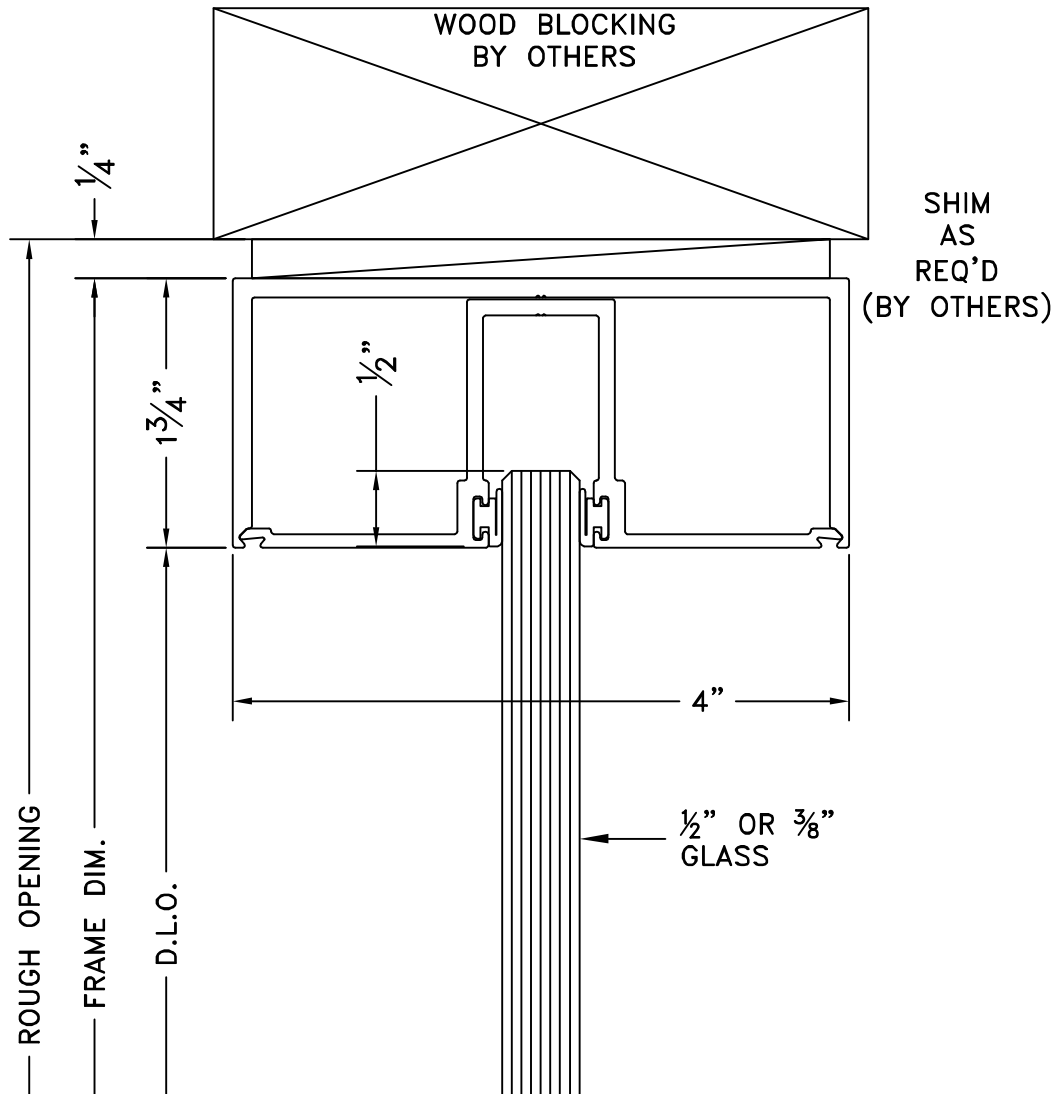
DORALCO

5919 W 118th STREET
ALSIP, IL 60803

Phone: (708) 388-9324
Fax: (708) 388-9392

REFERENCE

1 3/4" X 4" SNAP-IN SIDELITE HEADER DETAILS



1 3/4" X 4" SNAP-IN HEADER AT SIDELITE DETAIL

ENTRANCE | METAL
GLASS DOOR SOLUTIONS BY DORALCO

DATE: 07/01/09

JOB NUMBER:
XXXXXX

SHEET:

H2

THIS DETAIL ALONG WITH ITS CONCEPTS, SHAPE AND SIZES ARE THE PROPRIETARY PROPERTY OF ENTRANCE METAL, A DIVISION OF DORALCO, INC. IT MAY NOT BE TRANSFERRED IN ANY FORMAT TO ANY OTHER PERSON OR ENTITY, IN CONCEPTS OR DESIGN. THIS DETAIL IS NOT INTENDED FOR THE PURPOSE OF FABRICATION.

DORALCO

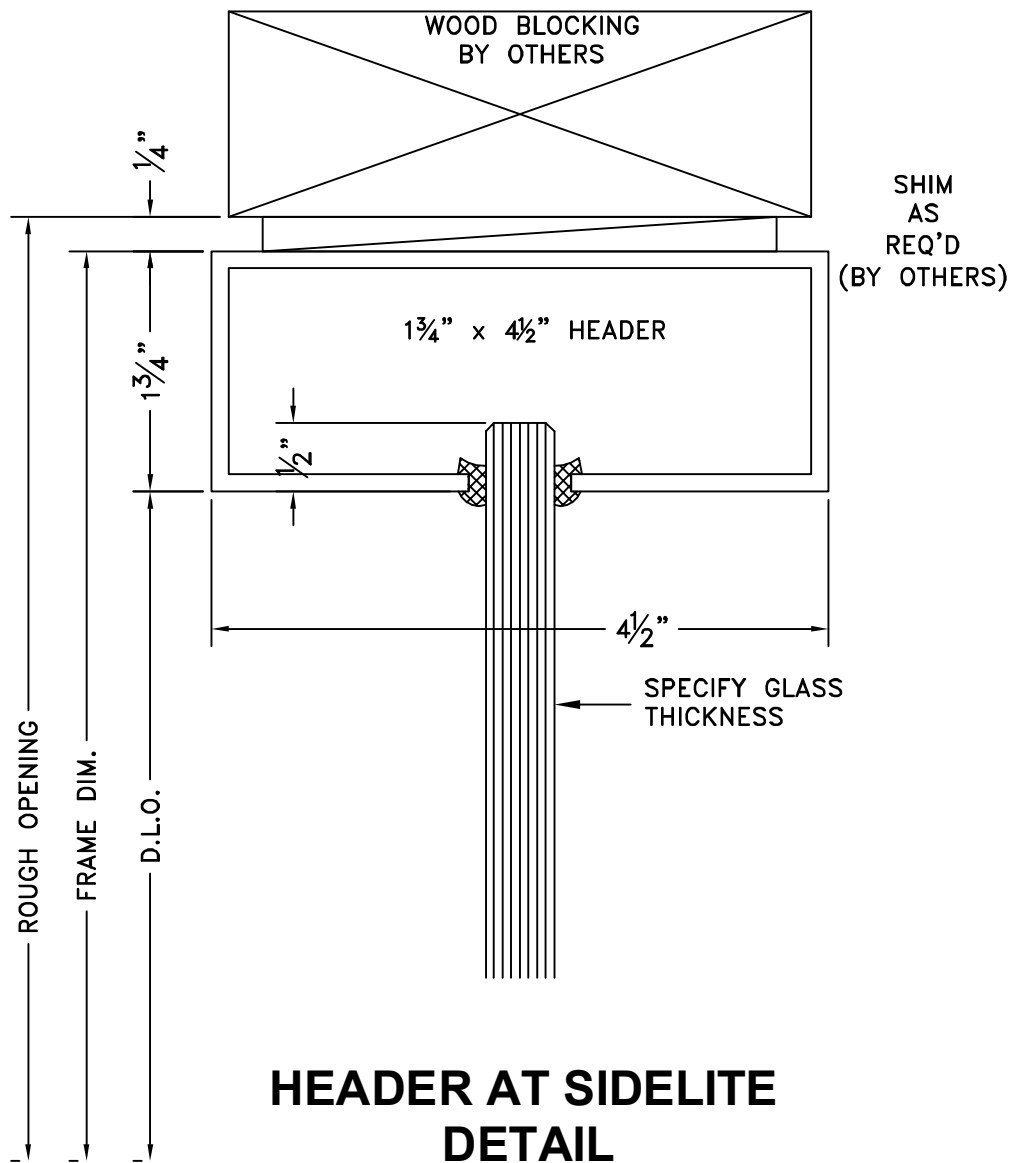
5919 W 118th STREET
ALSIP, IL 60803

Phone: (708) 388-9324

Fax: (708) 388-9392

REFERENCE

1 3/4" X 4 1/2" SIDELITE HEADER DETAIL



ENTRANCE | METAL
GLASS DOOR SOLUTIONS BY DORALCO

DATE: 07/01/09

JOB NUMBER:
XXXXXX

SHEET:

H3

THIS DETAIL ALONG WITH ITS CONCEPTS, SHAPE AND SIZES ARE THE PROPRIETARY PROPERTY OF ENTRANCE METAL, A DIVISION OF DORALCO, INC. IT MAY NOT BE TRANSFERRED IN ANY FORMAT TO ANY OTHER PERSON OR ENTITY, IN CONCEPTS OR DESIGN. THIS DETAIL IS NOT INTENDED FOR THE PURPOSE OF FABRICATION.

DORALCO

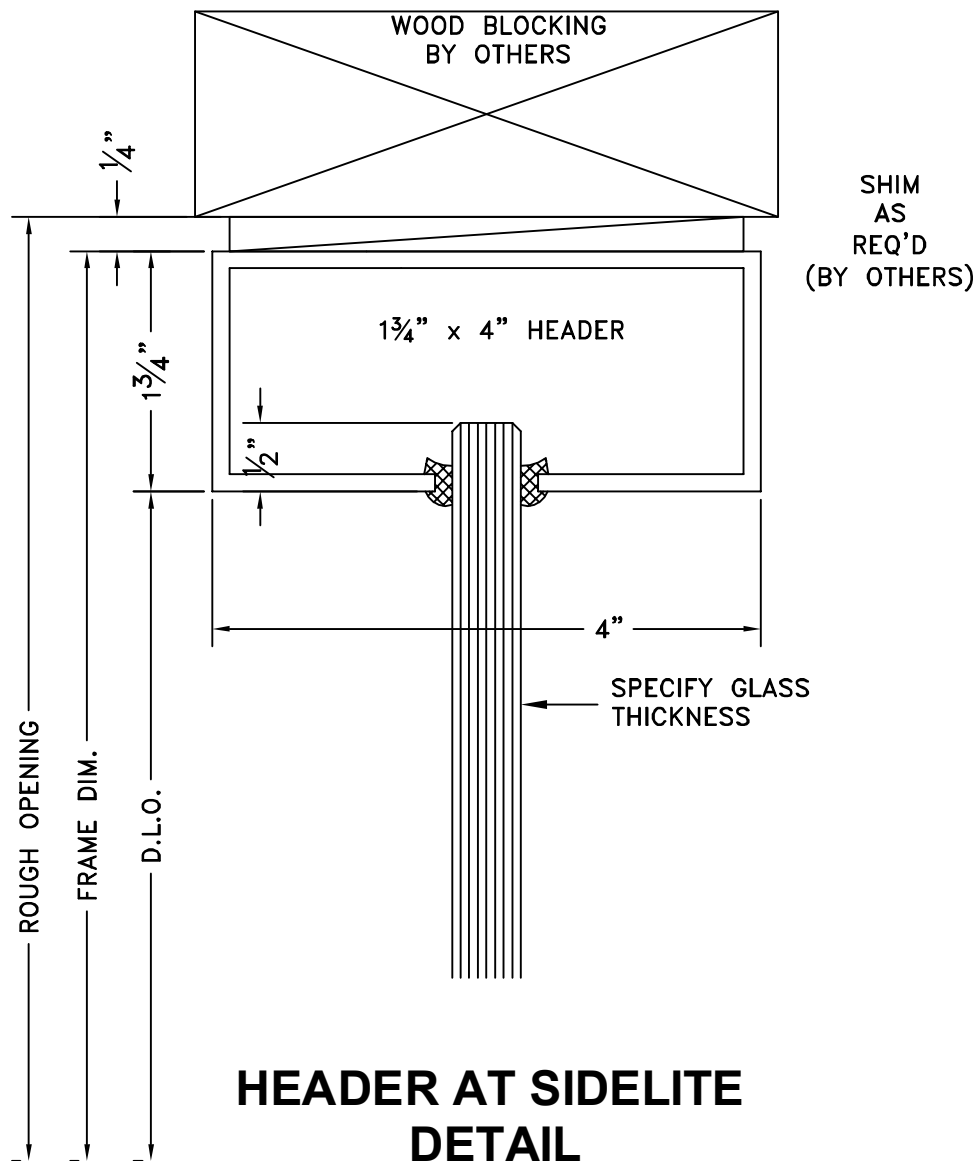
5919 W 118th STREET
ALSIP, IL 60803

Phone: (708) 388-9324

Fax: (708) 388-9392

REFERENCE

1 3/4" X 4" SIDELITE HEADER DETAIL



ENTRANCE | METAL
GLASS DOOR SOLUTIONS BY DORALCO

DATE: 07/01/09

JOB NUMBER:
XXXXXX

SHEET:

H4

THIS DETAIL ALONG WITH ITS CONCEPTS, SHAPE AND SIZES ARE THE PROPRIETARY PROPERTY OF ENTRANCE METAL, A DIVISION OF DORALCO, INC. IT MAY NOT BE TRANSFERRED IN ANY FORMAT TO ANY OTHER PERSON OR ENTITY, IN CONCEPTS OR DESIGN. THIS DETAIL IS NOT INTENDED FOR THE PURPOSE OF FABRICATION.

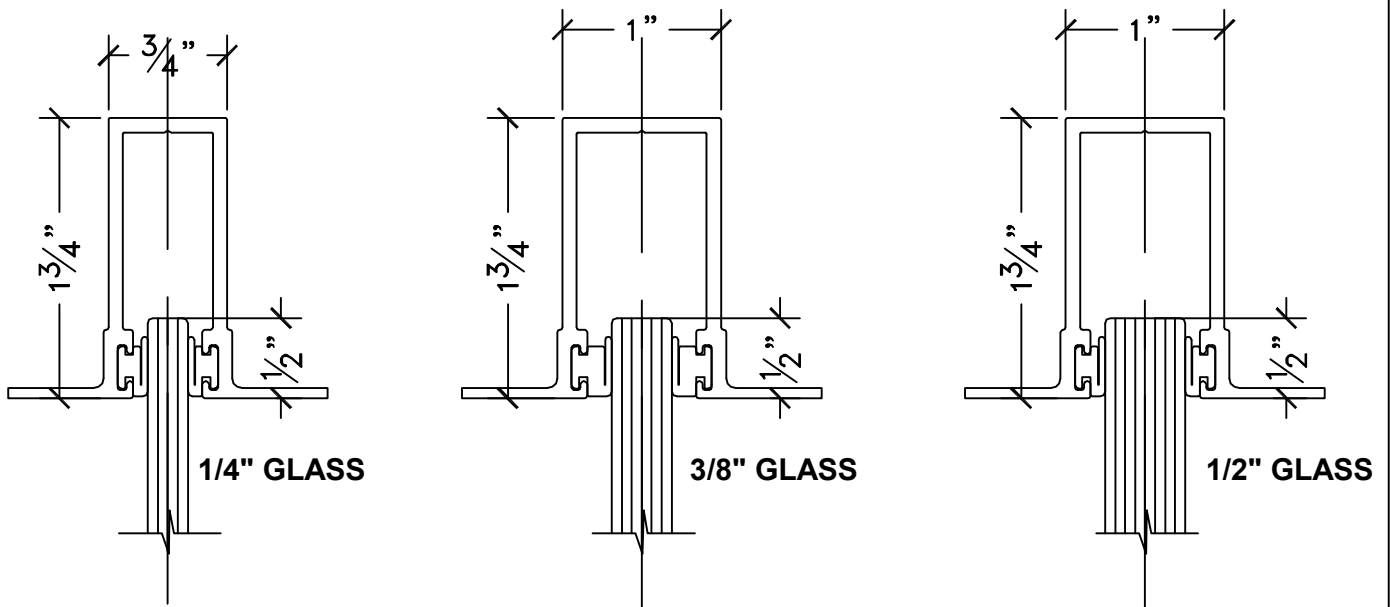
DORALCO

5919 W 118th STREET
ALSIP, IL 60803

Phone: (708) 388-9324
Fax: (708) 388-9392

REFERENCE

WHITE HAT CHANNEL DETAILS



WHITE HAT CHANNEL DETAILS

VINYL BY DORALCO

ENTRANCE | METAL
GLASS DOOR SOLUTIONS BY DORALCO

DATE: 07/01/09

JOB NUMBER:
XXXXXX

SHEET:

C1

THIS DETAIL ALONG WITH ITS CONCEPTS, SHAPE AND SIZES ARE THE PROPRIETARY PROPERTY OF ENTRANCE METAL, A DIVISION OF DORALCO, INC. IT MAY NOT BE TRANSFERRED IN ANY FORMAT TO ANY OTHER PERSON OR ENTITY, IN CONCEPTS OR DESIGN. THIS DETAIL IS NOT INTENDED FOR THE PURPOSE OF FABRICATION.

DORALCO

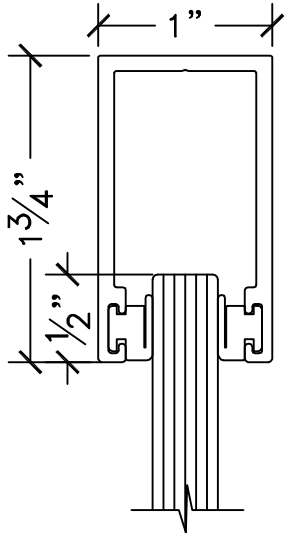
5919 W 118th STREET
ALSIP, IL 60803

Phone: (708) 388-9324

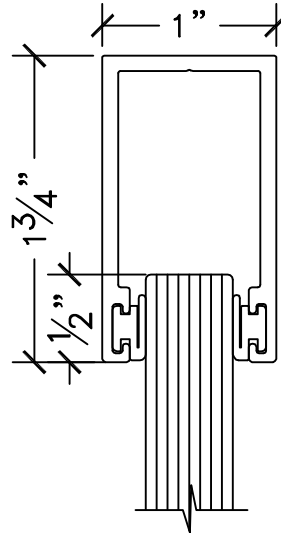
Fax: (708) 388-9392

REFERENCE

1 3/4" DRY GLAZE HEAD CHANNEL FOR 3/8" & 1/2" GLASS



3/8" GLASS



1/2" GLASS

**DRY GLAZE CHANNEL
1 3/4" HEAD CHANNEL
VINYL BY DORALCO**

ENTRANCE | METAL
GLASS DOOR SOLUTIONS BY DORALCO

DATE: 07/01/09

JOB NUMBER:
XXXXXX

SHEET:

C2

THIS DETAIL ALONG WITH ITS CONCEPTS, SHAPE AND SIZES ARE THE PROPRIETARY PROPERTY OF ENTRANCE METAL, A DIVISION OF DORALCO, INC. IT MAY NOT BE TRANSFERRED IN ANY FORMAT TO ANY OTHER PERSON OR ENTITY, IN CONCEPTS OR DESIGN. THIS DETAIL IS NOT INTENDED FOR THE PURPOSE OF FABRICATION.

DORALCO

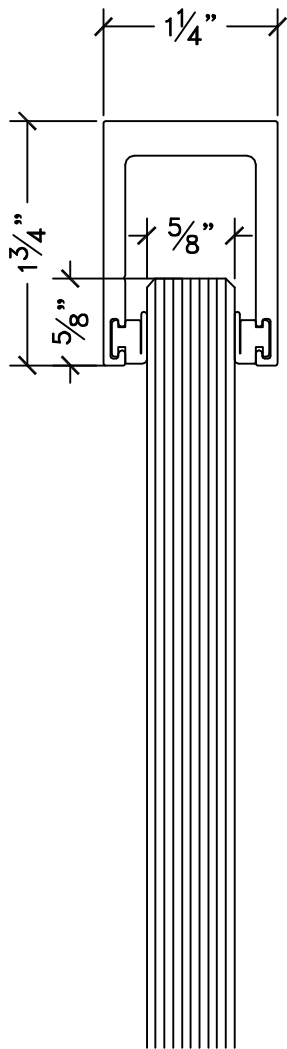
5919 W 118th STREET
ALSIP, IL 60803

Phone: (708) 388-9324

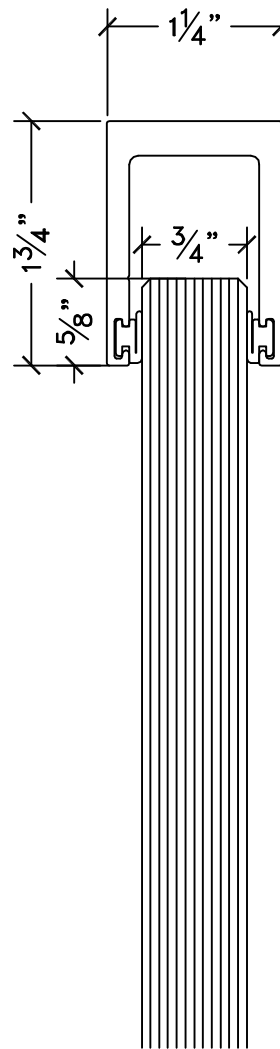
Fax: (708) 388-9392

REFERENCE

1 3/4" DRY GLAZE HEAD CHANNEL FOR 5/8" & 3/4" GLASS



**1 3/4" HEAD CHANNEL
FOR 5/8" GLASS
VINYL BY DORALCO**



**1 3/4" HEAD CHANNEL
FOR 3/4" GLASS
VINYL BY DORALCO**

ENTRANCE | METAL
GLASS DOOR SOLUTIONS BY DORALCO

DATE: 07/01/09

JOB NUMBER:
XXXXXX

SHEET:

C3

THIS DETAIL ALONG WITH ITS CONCEPTS, SHAPE AND SIZES ARE THE PROPRIETARY PROPERTY OF ENTRANCE METAL, A DIVISION OF DORALCO, INC. IT MAY NOT BE TRANSFERRED IN ANY FORMAT TO ANY OTHER PERSON OR ENTITY, IN CONCEPTS OR DESIGN. THIS DETAIL IS NOT INTENDED FOR THE PURPOSE OF FABRICATION.

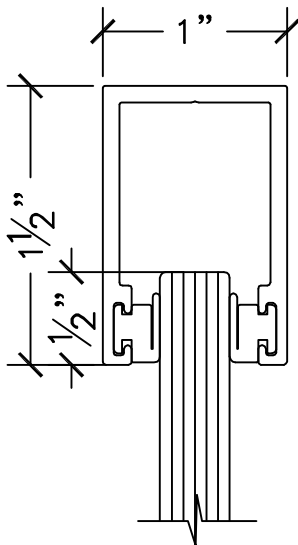
DORALCO

5919 W 118th STREET
ALSIP, IL 60803

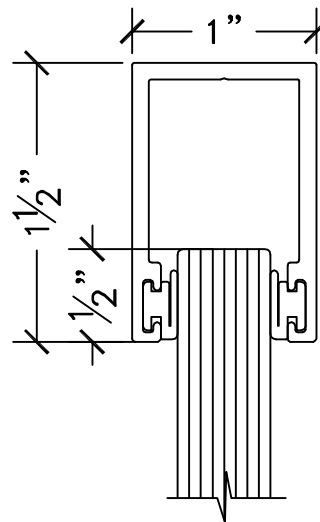
Phone: (708) 388-9324
Fax: (708) 388-9392

REFERENCE

1 1/2" DRY GLAZE HEAD CHANNEL FOR 3/8" & 1/2" GLASS



3/8" GLASS



1/2" GLASS

**DRY GLAZE CHANNEL
1 1/2" HEAD CHANNEL
VINYL BY DORALCO**

ENTRANCE | METAL
GLASS DOOR SOLUTIONS BY DORALCO

DATE: 07/01/09

JOB NUMBER:
XXXXXX

SHEET:

C4

THIS DETAIL ALONG WITH ITS CONCEPTS, SHAPE AND SIZES ARE THE PROPRIETARY PROPERTY OF ENTRANCE METAL, A DIVISION OF DORALCO, INC. IT MAY NOT BE TRANSFERRED IN ANY FORMAT TO ANY OTHER PERSON OR ENTITY, IN CONCEPTS OR DESIGN. THIS DETAIL IS NOT INTENDED FOR THE PURPOSE OF FABRICATION.

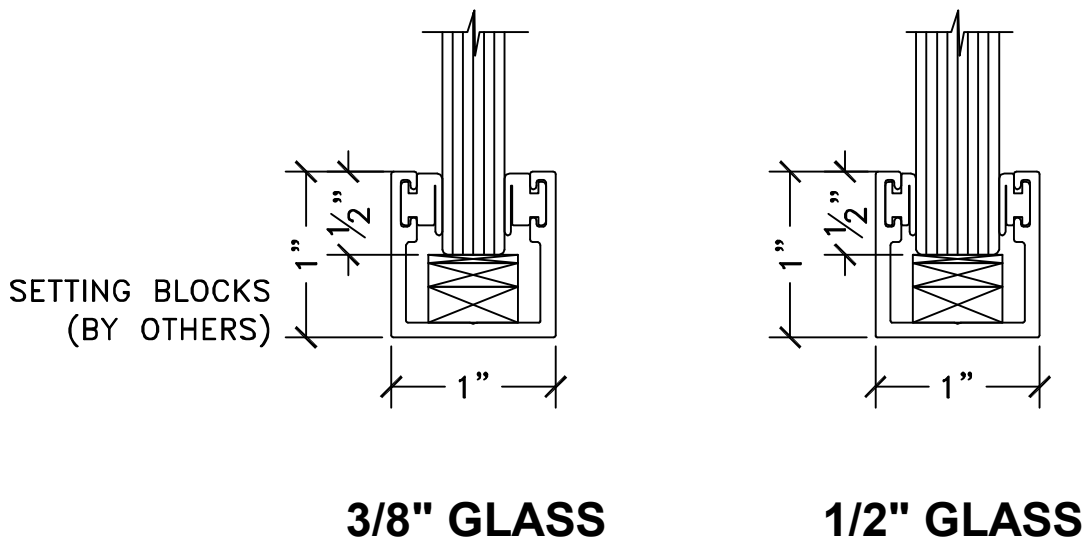
DORALCO

5919 W 118th STREET
ALSIP, IL 60803

Phone: (708) 388-9324
Fax: (708) 388-9392

REFERENCE

1" DRY GLAZE SILL CHANNEL DETAILS



DRY GLAZE CHANNEL STANDARD 1" SILL CHANNEL VINYL BY DORALCO

ENTRANCE | METAL
GLASS DOOR SOLUTIONS BY DORALCO

DATE: 07/01/09

JOB NUMBER:
XXXXXX

SHEET:

C5

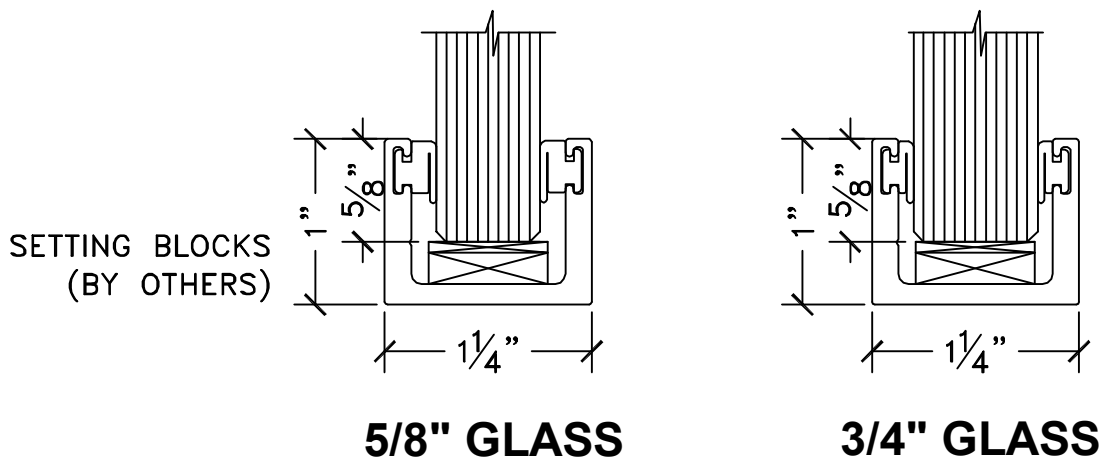
THIS DETAIL ALONG WITH ITS CONCEPTS, SHAPE AND SIZES ARE THE PROPRIETARY PROPERTY OF ENTRANCE METAL, A DIVISION OF DORALCO, INC. IT MAY NOT BE TRANSFERRED IN ANY FORMAT TO ANY OTHER PERSON OR ENTITY, IN CONCEPTS OR DESIGN. THIS DETAIL IS NOT INTENDED FOR THE PURPOSE OF FABRICATION.

DORALCO

5919 W 118th STREET
ALSIP, IL 60803
Phone: (708) 388-9324
Fax: (708) 388-9392

REFERENCE

1" DRY GLAZE SILL CHANNEL DETAILS



DRY GLAZE CHANNEL STANDARD 1" SILL CHANNEL VINYL BY DORALCO

ENTRANCE | METAL
GLASS DOOR SOLUTIONS BY DORALCO

DATE: 07/01/09

JOB NUMBER:
XXXXXX

SHEET:

C6

THIS DETAIL ALONG WITH ITS CONCEPTS, SHAPE AND SIZES ARE THE PROPRIETARY PROPERTY OF ENTRANCE METAL, A DIVISION OF DORALCO, INC. IT MAY NOT BE TRANSFERRED IN ANY FORMAT TO ANY OTHER PERSON OR ENTITY, IN CONCEPTS OR DESIGN. THIS DETAIL IS NOT INTENDED FOR THE PURPOSE OF FABRICATION.

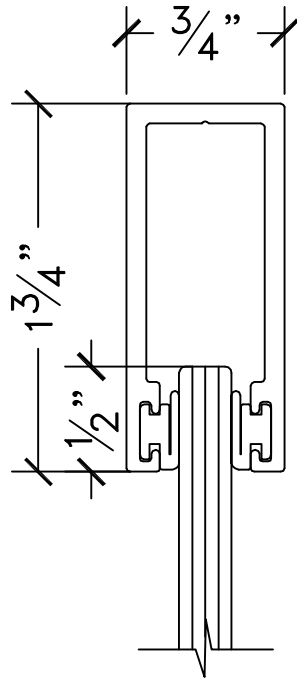
DORALCO

5919 W 118th STREET
ALSIP, IL 60803

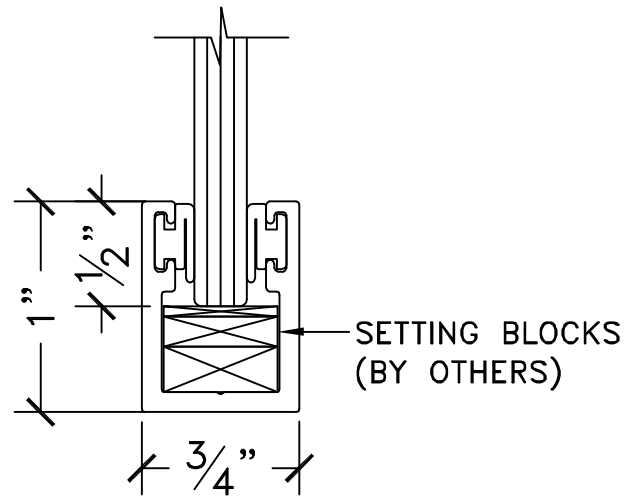
Phone: (708) 388-9324
Fax: (708) 388-9392

REFERENCE

1 3/4" HEAD & 1" SILL DRY GLAZE CHANNEL DETAILS



1 3/4" HEAD CHANNEL



1" SILL CHANNEL

**DRY GLAZE CHANNEL
FOR 1/4" GLASS
VINYL BY DORALCO**

ENTRANCE | METAL
GLASS DOOR SOLUTIONS BY DORALCO

DATE: 07/01/09

JOB NUMBER:
XXXXXX

SHEET:

C7