

THIS DETAIL ALONG WITH ITS CONCEPTS, SHAPE AND SIZES ARE THE PROPRIETARY PROPERTY OF ENTRANCE METAL, A DIVISION OF DORALCO, INC. IT MAY NOT BE TRANSFERRED IN ANY FORMAT TO ANY OTHER PERSON OR ENTITY, IN CONCEPTS OR DESIGN. THIS DETAIL IS NOT INTENDED FOR THE PURPOSE OF FABRICATION.

DORALCO

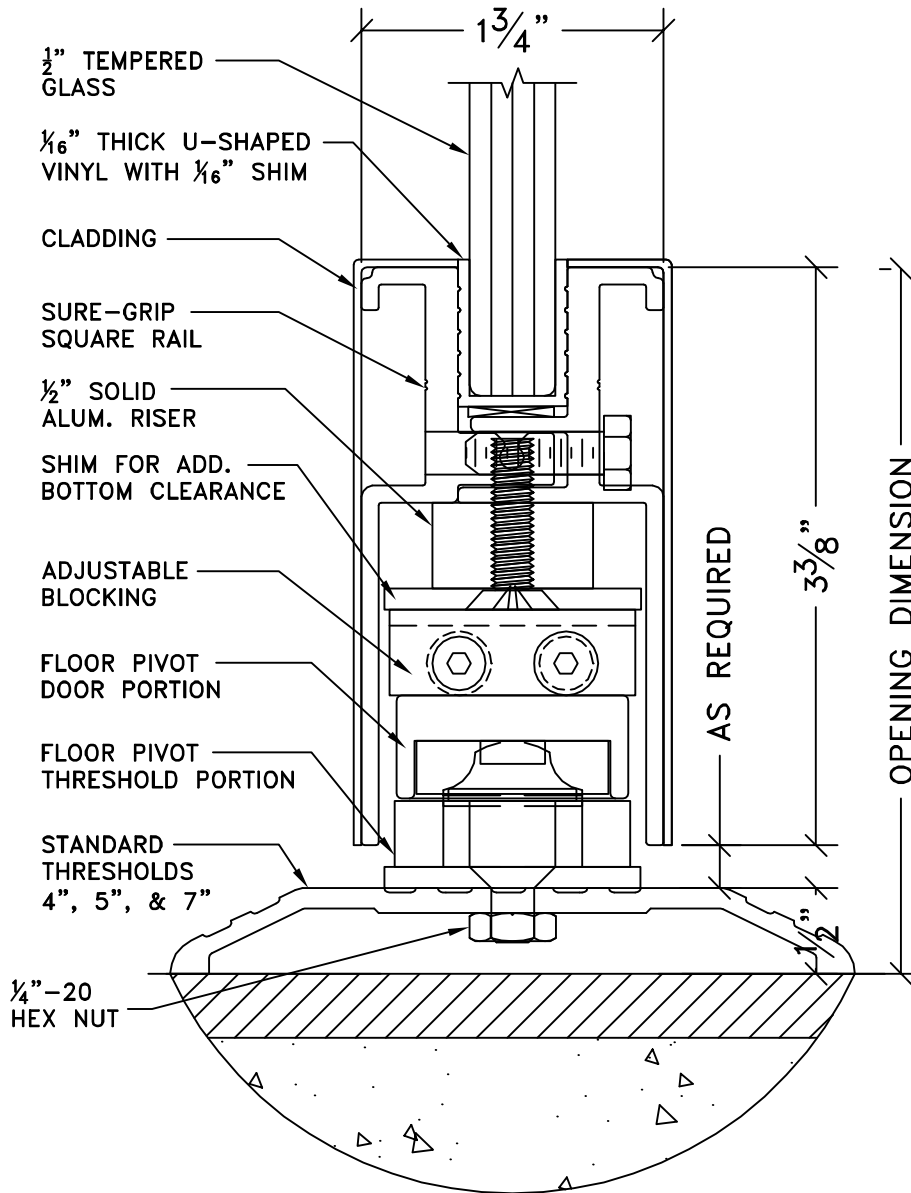
5919 W 118th STREET
ALSIP, IL 60803

Phone: (708) 388-9324

Fax: (708) 388-9392

REFERENCE

STANDARD DOOR RAIL BOTTOM PIVOT W/ THRESHOLD



**STANDARD DOOR RAIL
BOTTOM PIVOT W/ THRESHOLD**

ENTRANCE | METAL
GLASS DOOR SOLUTIONS BY DORALCO

DATE: 07/01/09

JOB NUMBER:
XXXXXX

SHEET:

D1

THIS DETAIL ALONG WITH ITS CONCEPTS, SHAPE AND SIZES ARE THE PROPRIETARY PROPERTY OF ENTRANCE METAL, A DIVISION OF DORALCO, INC. IT MAY NOT BE TRANSFERRED IN ANY FORMAT TO ANY OTHER PERSON OR ENTITY, IN CONCEPTS OR DESIGN. THIS DETAIL IS NOT INTENDED FOR THE PURPOSE OF FABRICATION.

DORALCO

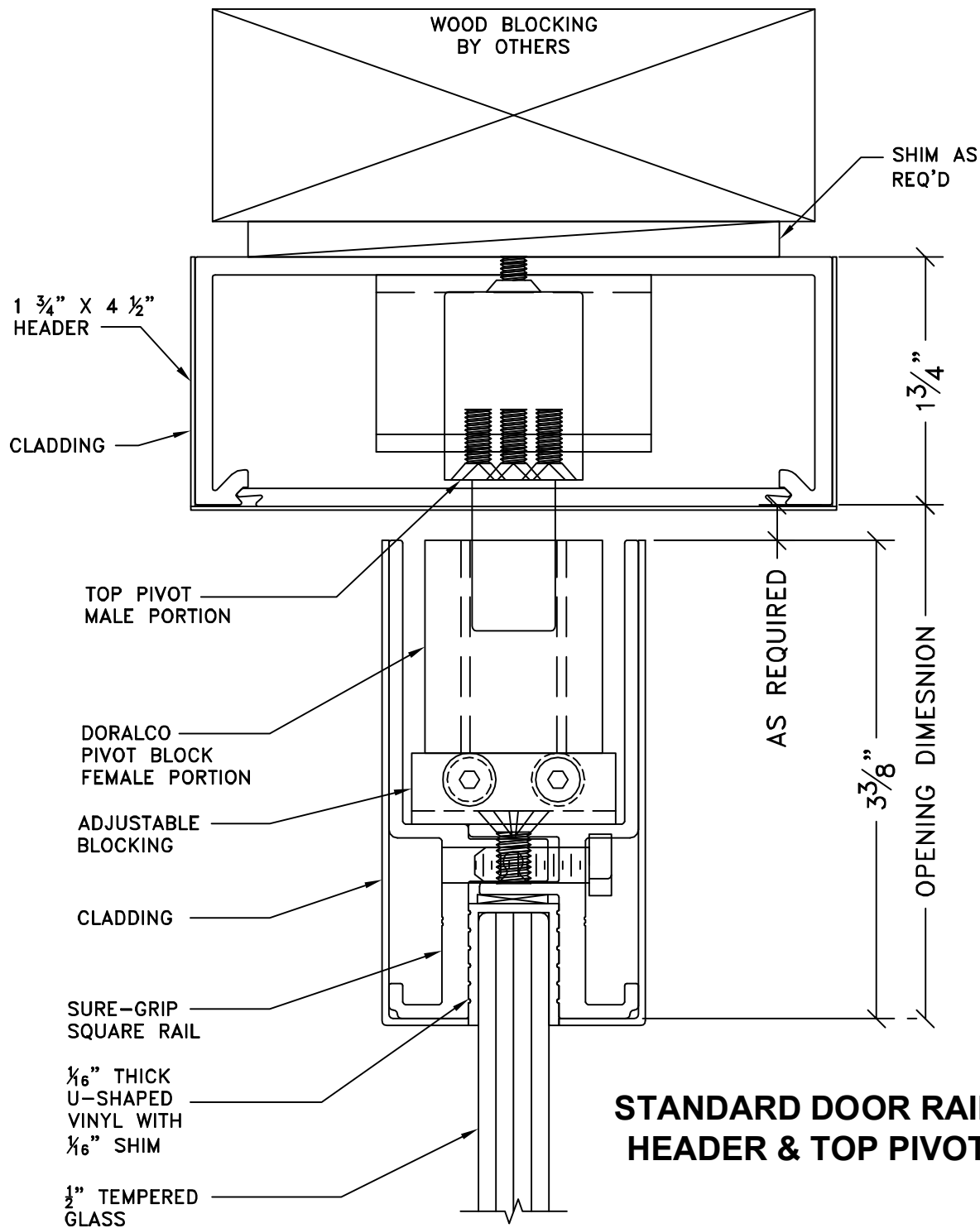
5919 W 118th STREET
ALSIP, IL 60803

Phone: (708) 388-9324

Fax: (708) 388-9392

REFERENCE

STANDARD DOOR RAIL HEADER AND TOP PIVOT



**STANDARD DOOR RAIL
HEADER & TOP PIVOT**

ENTRANCE | METAL
GLASS DOOR SOLUTIONS BY DORALCO

DATE: 07/01/09

JOB NUMBER:
XXXXXX

SHEET:

D2

THIS DETAIL ALONG WITH ITS CONCEPTS, SHAPE AND SIZES ARE THE PROPRIETARY PROPERTY OF ENTRANCE METAL, A DIVISION OF DORALCO, INC. IT MAY NOT BE TRANSFERRED IN ANY FORMAT TO ANY OTHER PERSON OR ENTITY, IN CONCEPTS OR DESIGN. THIS DETAIL IS NOT INTENDED FOR THE PURPOSE OF FABRICATION.

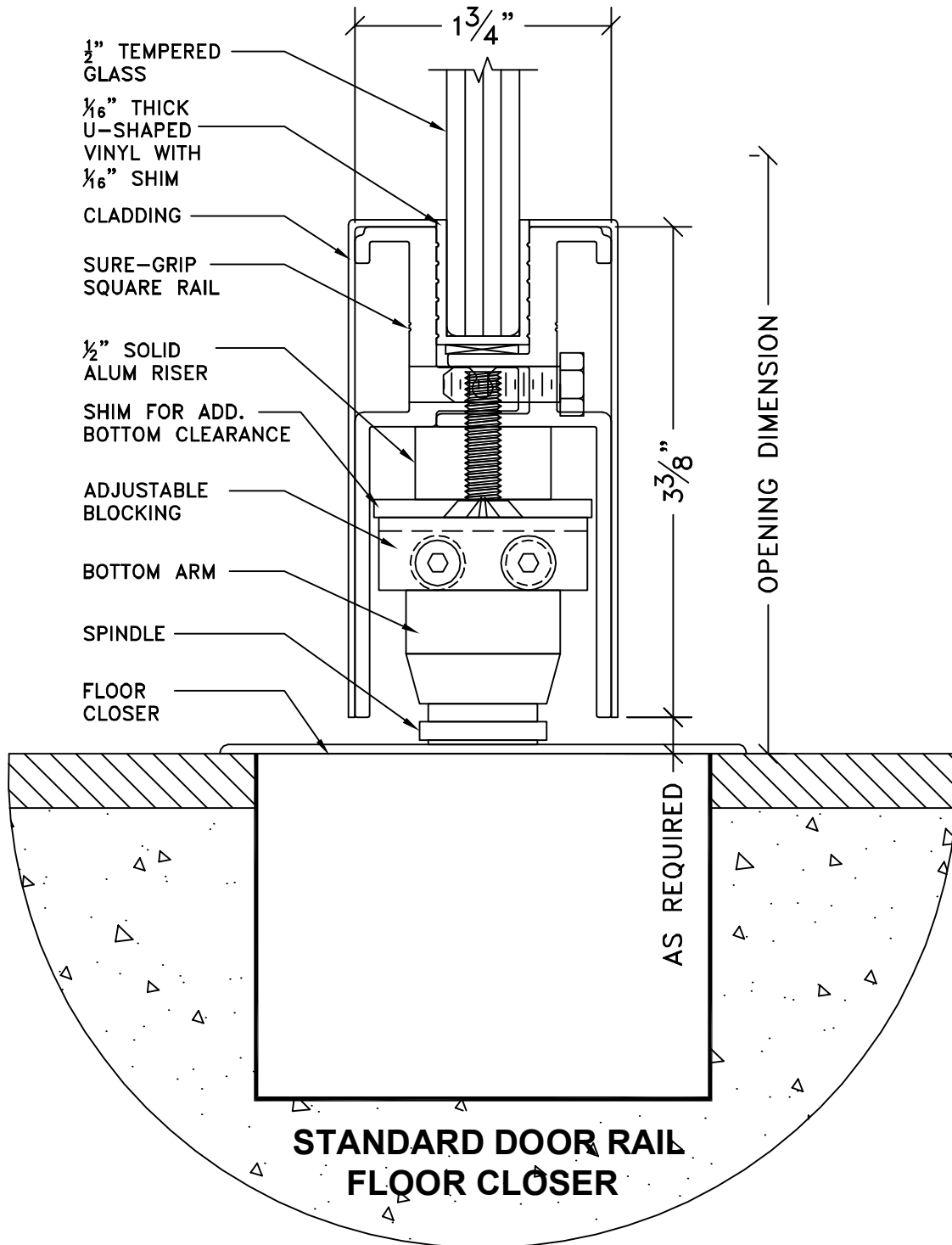
DORALCO

5919 W 118th STREET
ALSIP, IL 60803

Phone: (708) 388-9324
Fax: (708) 388-9392

REFERENCE

STANDARD DOOR RAIL FLOOR CLOSER



ENTRANCE | METAL
GLASS DOOR SOLUTIONS BY DORALCO

DATE: 07/01/09

JOB NUMBER:
XXXXXX

SHEET:

D3

THIS DETAIL ALONG WITH ITS CONCEPTS, SHAPE AND SIZES ARE THE PROPRIETARY PROPERTY OF ENTRANCE METAL, A DIVISION OF DORALCO, INC. IT MAY NOT BE TRANSFERRED IN ANY FORMAT TO ANY OTHER PERSON OR ENTITY, IN CONCEPTS OR DESIGN. THIS DETAIL IS NOT INTENDED FOR THE PURPOSE OF FABRICATION.

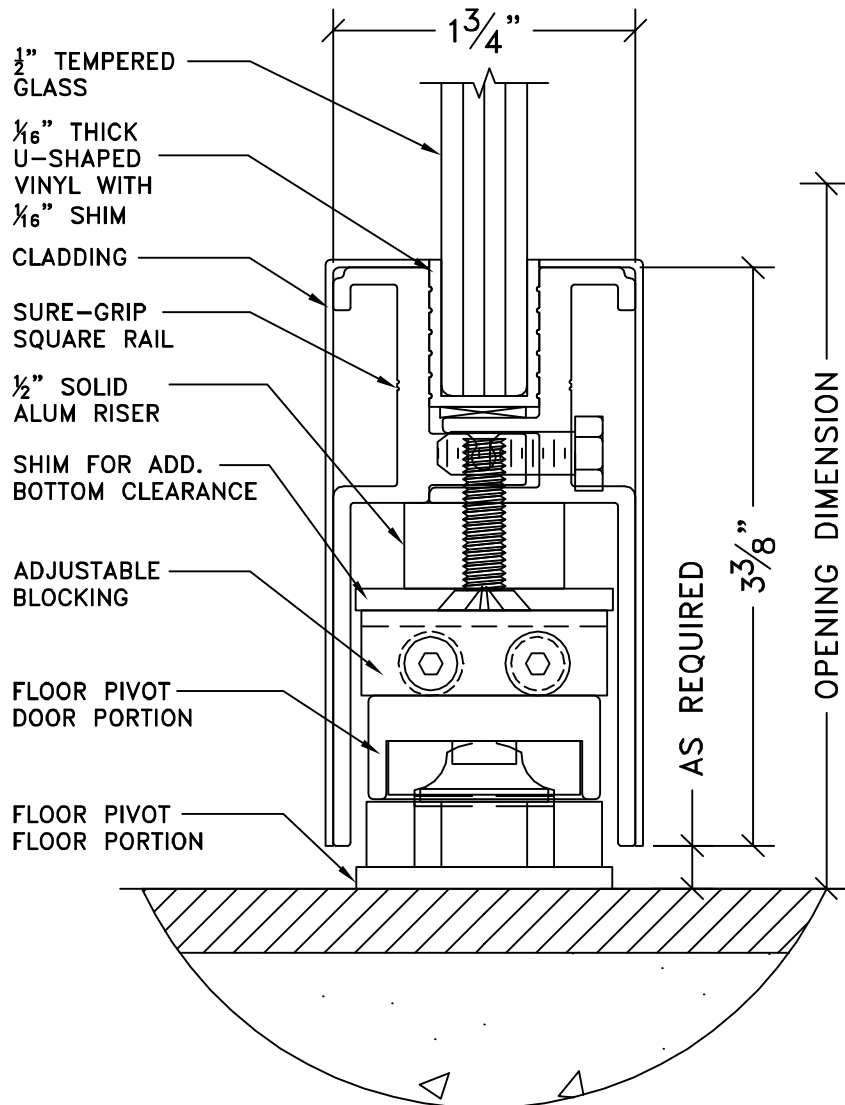
DORALCO

5919 W 118th STREET
ALSIP, IL 60803

Phone: (708) 388-9324
Fax: (708) 388-9392

REFERENCE

STANDARD DOOR RAIL BOTTOM PIVOT



**STANDARD DOOR RAIL
BOTTOM PIVOT**

ENTRANCE | METAL
GLASS DOOR SOLUTIONS BY DORALCO

DATE: 07/01/09

JOB NUMBER:
XXXXXX

SHEET:

D4

THIS DETAIL ALONG WITH ITS CONCEPTS, SHAPE AND SIZES ARE THE PROPRIETARY PROPERTY OF ENTRANCE METAL, A DIVISION OF DORALCO, INC. IT MAY NOT BE TRANSFERRED IN ANY FORMAT TO ANY OTHER PERSON OR ENTITY, IN CONCEPTS OR DESIGN. THIS DETAIL IS NOT INTENDED FOR THE PURPOSE OF FABRICATION.

DORALCO

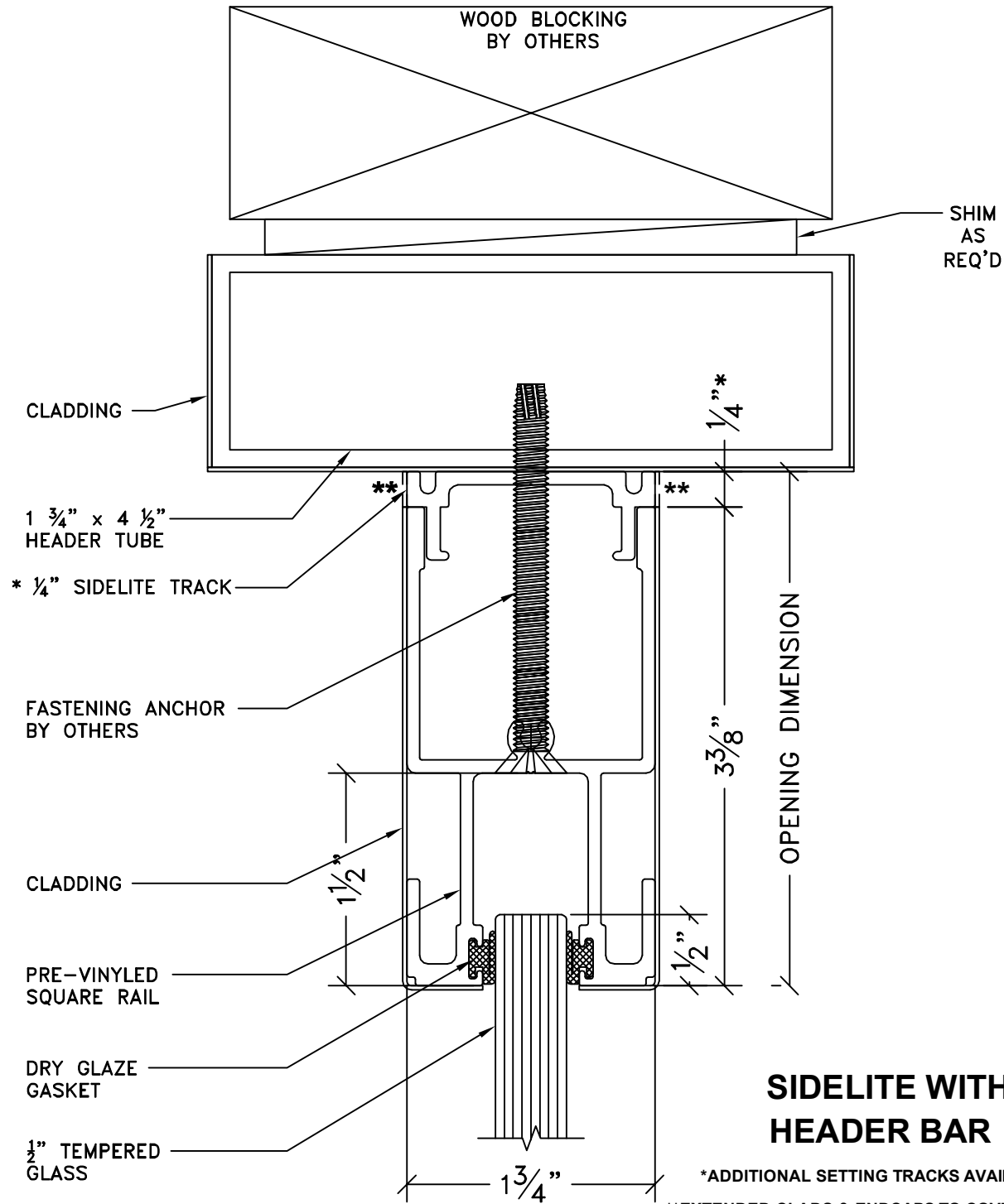
5919 W 118th STREET
ALSIP, IL 60803

Phone: (708) 388-9324

Fax: (708) 388-9392

REFERENCE

SIDELITE WITH HEADER BAR



SIDELITE WITH HEADER BAR

*ADDITIONAL SETTING TRACKS AVAILABLE
**EXTENDED CLADS & ENDCAPS TO COVER TRACKS AVAILABLE ON REQUEST

ENTRANCE | METAL
GLASS DOOR SOLUTIONS BY DORALCO

DATE: 07/01/09

JOB NUMBER: XXXXXX

SHEET:

D5

THIS DETAIL ALONG WITH ITS CONCEPTS, SHAPE AND SIZES ARE THE PROPRIETARY PROPERTY OF ENTRANCE METAL, A DIVISION OF DORALCO, INC. IT MAY NOT BE TRANSFERRED IN ANY FORMAT TO ANY OTHER PERSON OR ENTITY, IN CONCEPTS OR DESIGN. THIS DETAIL IS NOT INTENDED FOR THE PURPOSE OF FABRICATION.

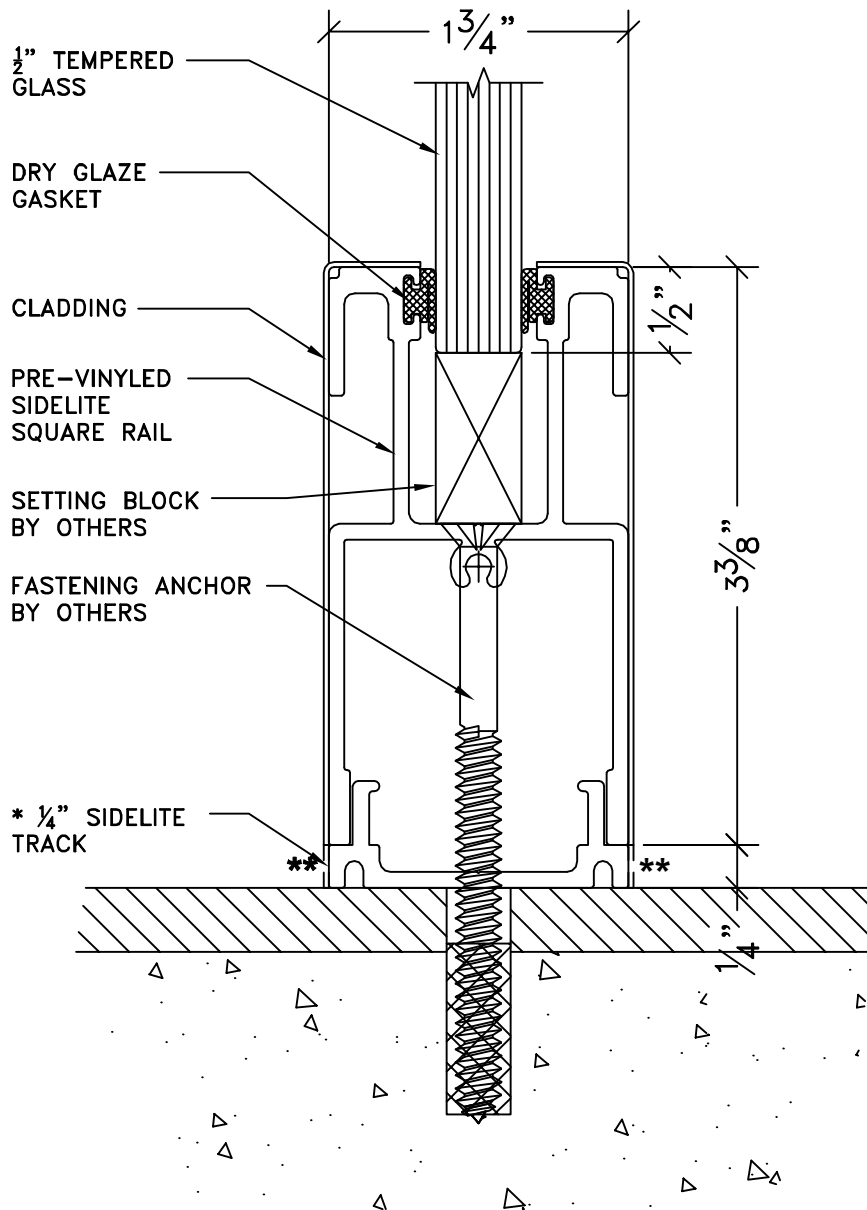
DORALCO

5919 W 118th STREET
ALSIP, IL 60803

Phone: (708) 388-9324
Fax: (708) 388-9392

REFERENCE

STANDARD SIDELITE @ SILL



STANDARD SIDELITE @ SILL

*ADDITIONAL SETTING TRACKS AVAILABLE

**EXTENDED CLADS & ENDCAPS TO COVER TRACKS
AVAILABLE ON REQUEST

ENTRANCE | METAL
GLASS DOOR SOLUTIONS BY DORALCO

DATE: 07/01/09

JOB NUMBER:
XXXXXX

SHEET:

D6

THIS DETAIL ALONG WITH ITS CONCEPTS, SHAPE AND SIZES ARE THE PROPRIETARY PROPERTY OF ENTRANCE METAL, A DIVISION OF DORALCO, INC. IT MAY NOT BE TRANSFERRED IN ANY FORMAT TO ANY OTHER PERSON OR ENTITY, IN CONCEPTS OR DESIGN. THIS DETAIL IS NOT INTENDED FOR THE PURPOSE OF FABRICATION.

DORALCO

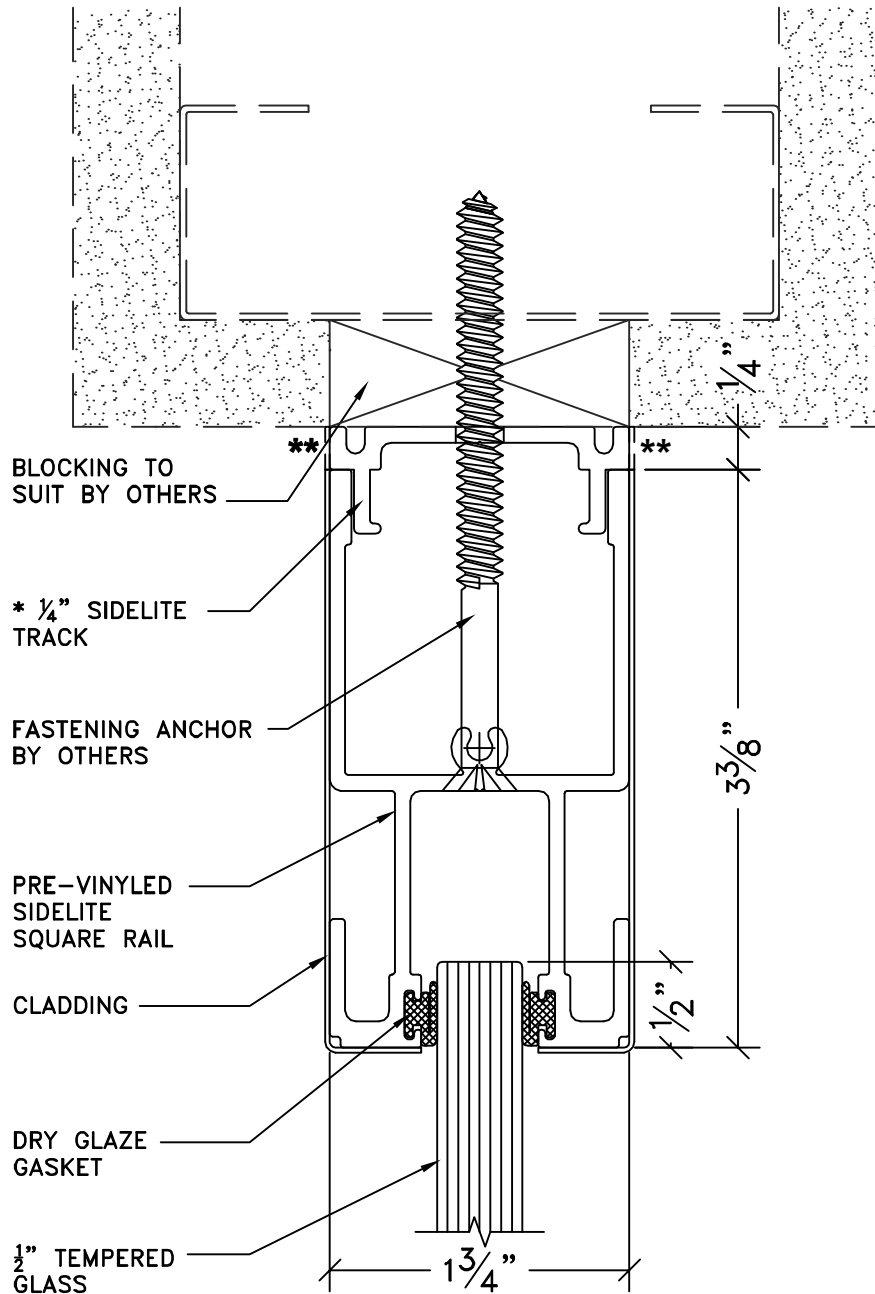
5919 W 118th STREET
ALSIP, IL 60803

Phone: (708) 388-9324

Fax: (708) 388-9392

REFERENCE

STANDARD SIDELITE @ HEADER



STANDARD SIDELITE @ HEADER

*ADDITIONAL SETTING TRACKS AVAILABLE

**EXTENDED CLADS & ENDCAPS TO COVER TRACKS
AVAILABLE ON REQUEST

ENTRANCE | METAL
GLASS DOOR SOLUTIONS BY DORALCO

DATE: 07/01/09

JOB NUMBER:
XXXXXX

SHEET:

D7

THIS DETAIL ALONG WITH ITS CONCEPTS, SHAPE AND SIZES ARE THE PROPRIETARY PROPERTY OF ENTRANCE METAL, A DIVISION OF DORALCO, INC. IT MAY NOT BE TRANSFERRED IN ANY FORMAT TO ANY OTHER PERSON OR ENTITY, IN CONCEPTS OR DESIGN. THIS DETAIL IS NOT INTENDED FOR THE PURPOSE OF FABRICATION.

DORALCO

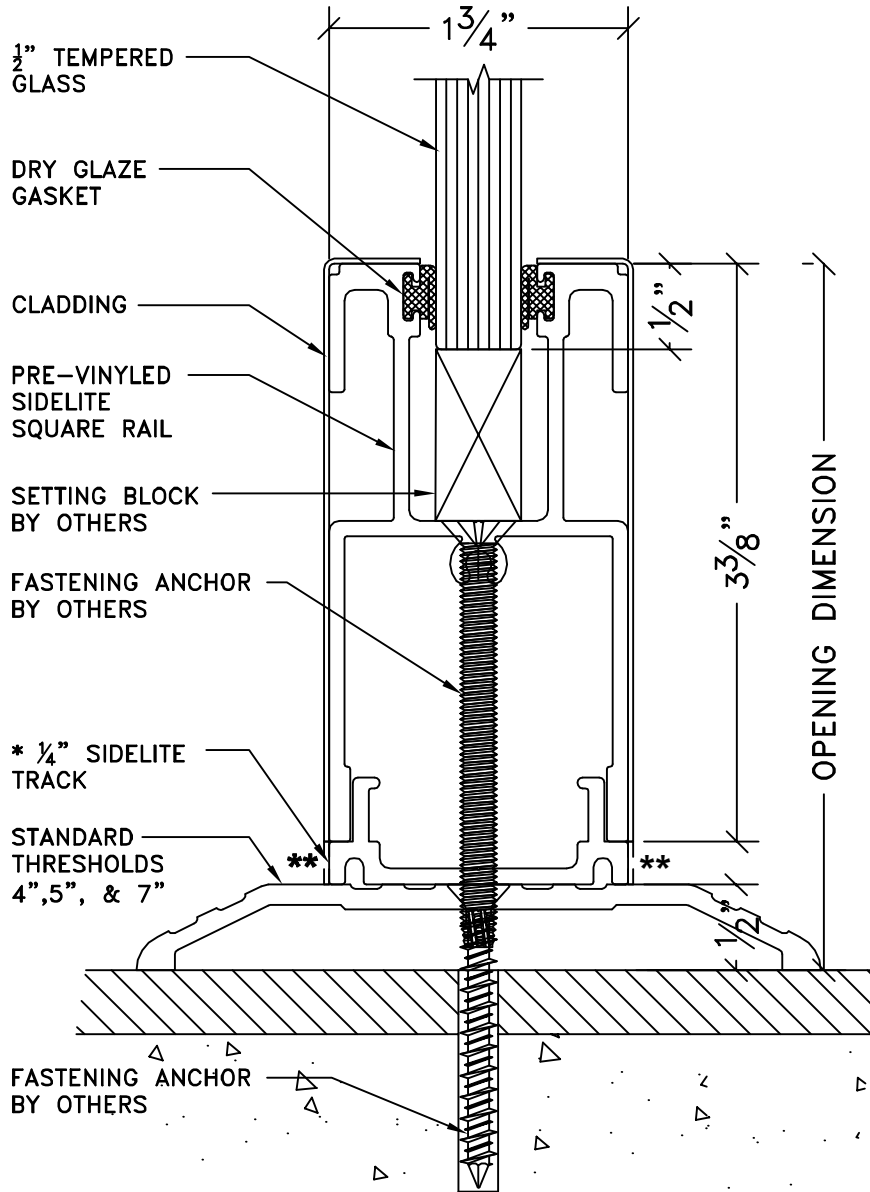
5919 W 118th STREET
ALSIP, IL 60803

Phone: (708) 388-9324

Fax: (708) 388-9392

REFERENCE

SIDELITE WITH THRESHOLD @ SILL



SIDELITE WITH THRESHOLD @ SILL

*ADDITIONAL SETTING TRACKS AVAILABLE

**EXTENDED CLADS & ENDCAPS TO COVER TRACKS AVAILABLE ON REQUEST

ENTRANCE | METAL
GLASS DOOR SOLUTIONS BY DORALCO

DATE: 07/01/09

JOB NUMBER:
XXXXXX

SHEET:

D8

THIS DETAIL ALONG WITH ITS CONCEPTS, SHAPE AND SIZES ARE THE PROPRIETARY PROPERTY OF ENTRANCE METAL, A DIVISION OF DORALCO, INC. IT MAY NOT BE TRANSFERRED IN ANY FORMAT TO ANY OTHER PERSON OR ENTITY, IN CONCEPTS OR DESIGN. THIS DETAIL IS NOT INTENDED FOR THE PURPOSE OF FABRICATION.

DORALCO

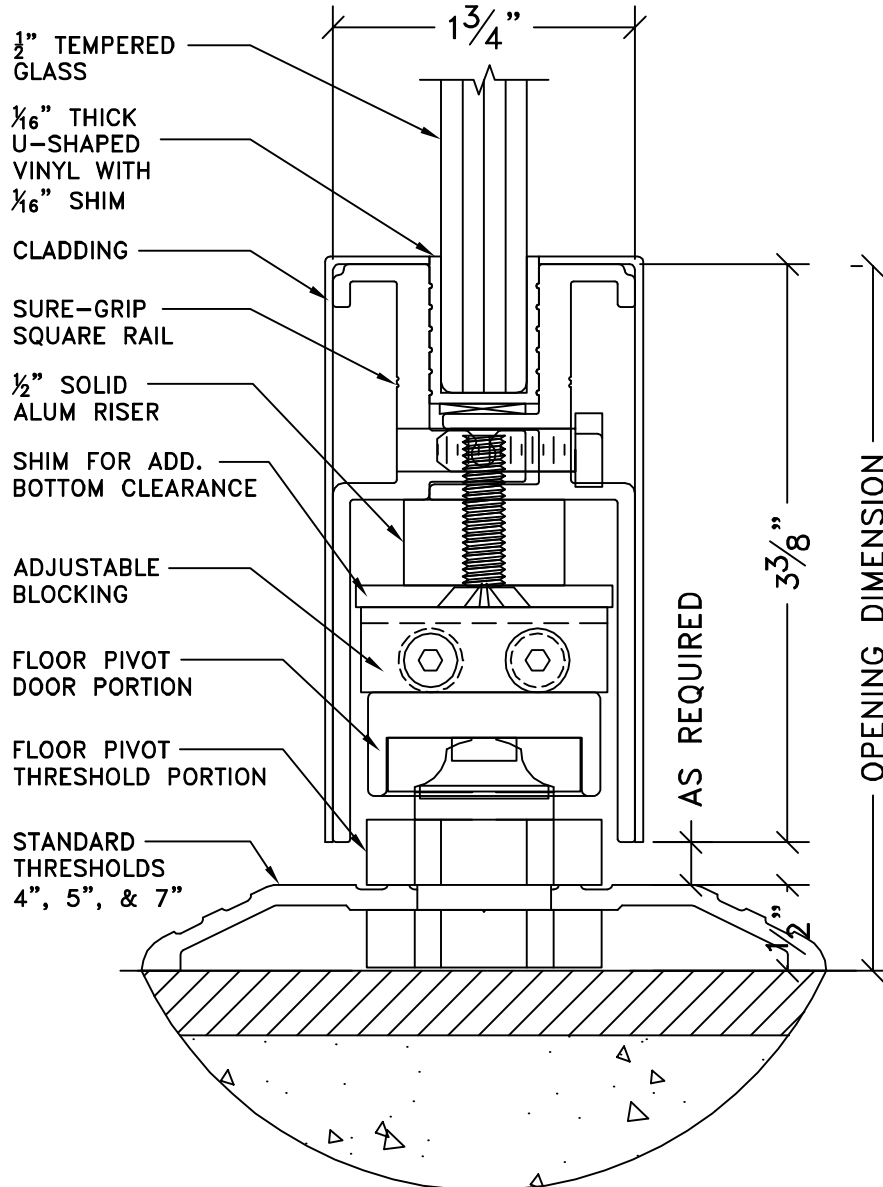
5919 W 118th STREET
ALSIP, IL 60803

Phone: (708) 388-9324

Fax: (708) 388-9392

REFERENCE

STANDARD DOOR RAIL BOTTOM PIVOT WITH THRESHOLD



**STANDARD DOOR RAIL
BOTTOM PIVOT WITH THRESHOLD**

ENTRANCE | METAL
GLASS DOOR SOLUTIONS BY DORALCO

DATE: 07/01/09

JOB NUMBER:
XXXXXX

SHEET:

D9

THIS DETAIL ALONG WITH ITS CONCEPTS, SHAPE AND SIZES ARE THE PROPRIETARY PROPERTY OF ENTRANCE METAL, A DIVISION OF DORALCO, INC. IT MAY NOT BE TRANSFERRED IN ANY FORMAT TO ANY OTHER PERSON OR ENTITY, IN CONCEPTS OR DESIGN. THIS DETAIL IS NOT INTENDED FOR THE PURPOSE OF FABRICATION.

DORALCO

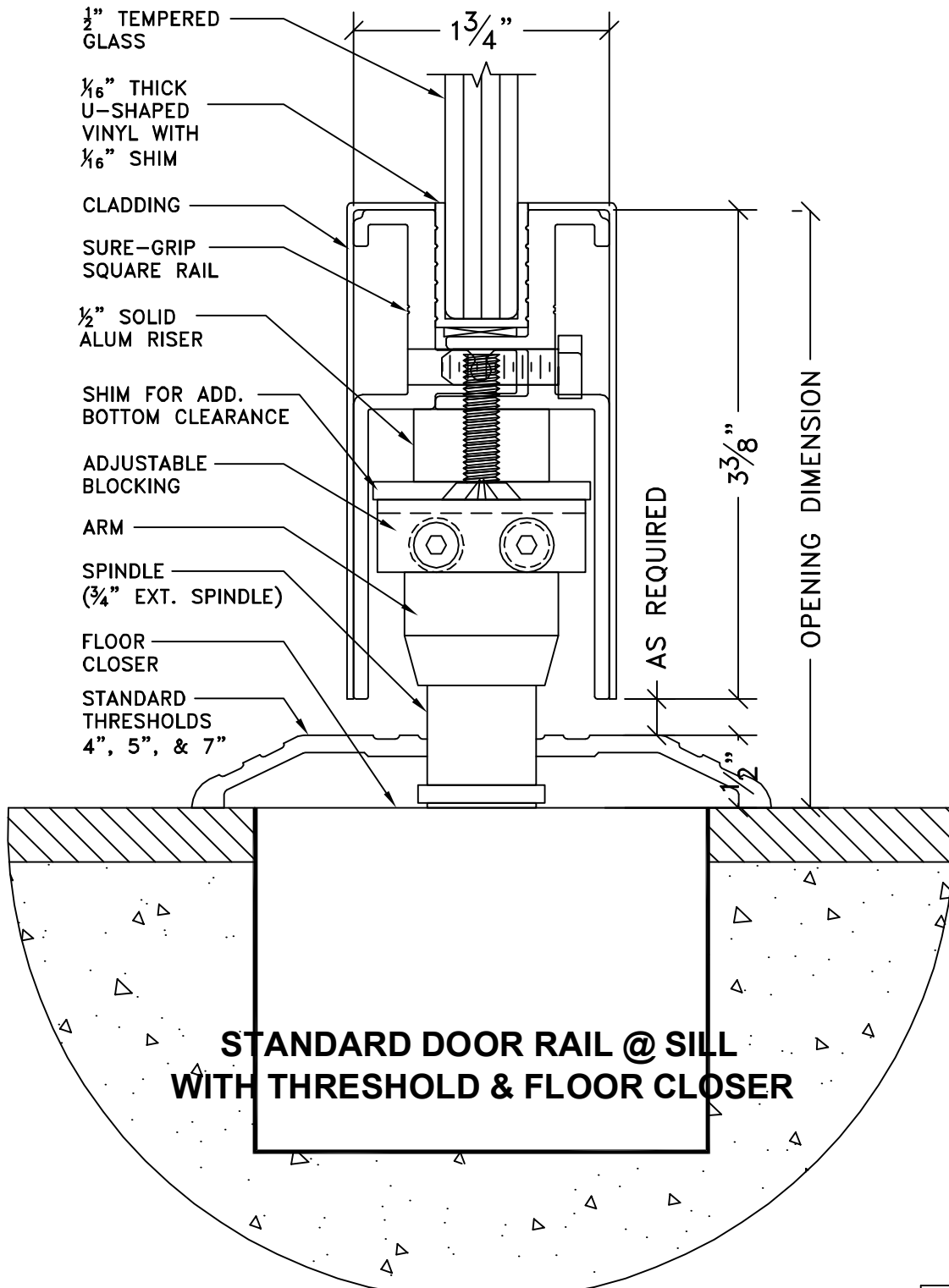
5919 W 118th STREET
ALSIP, IL 60803

Phone: (708) 388-9324

Fax: (708) 388-9392

REFERENCE

STANDARD DOOR RAIL @ SILL W/ THRESHOLD & FLOOR CLOSER



**STANDARD DOOR RAIL @ SILL
WITH THRESHOLD & FLOOR CLOSER**

ENTRANCE | METAL
GLASS DOOR SOLUTIONS BY DORALCO

DATE: 07/01/09

JOB NUMBER:
XXXXXX

SHEET:

D10