

ENG. SEAL

DATE: . . .

SCALE: N.T.S.

DRAWN: RCW

CHECKED BY: . . .

JOB NUMBER
###

SHEET NO.
3-1

PROJECT NAME:
Louvers

ADDRESS

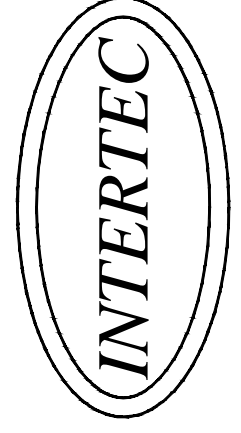
ARCHITECT:

CONTRACTOR:

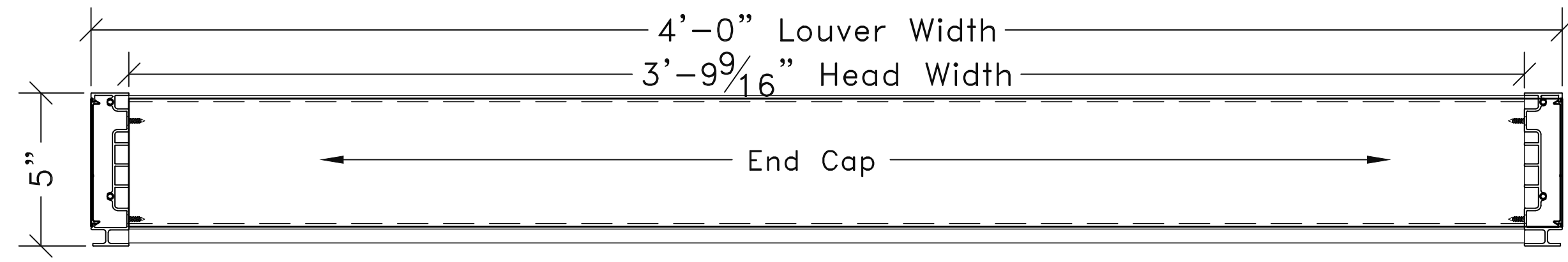
NO. DATE BY

REVISIONS

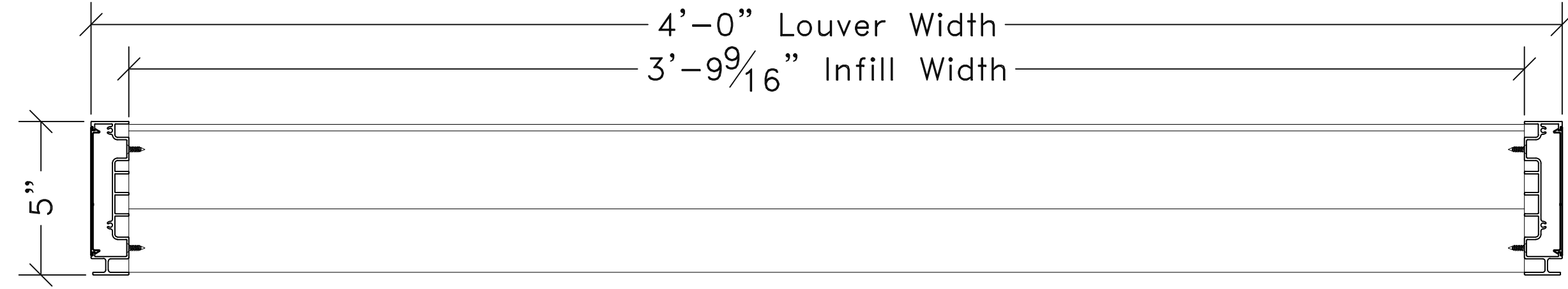
INTERTEC PROJECT MANAGER: AARON JOHNS



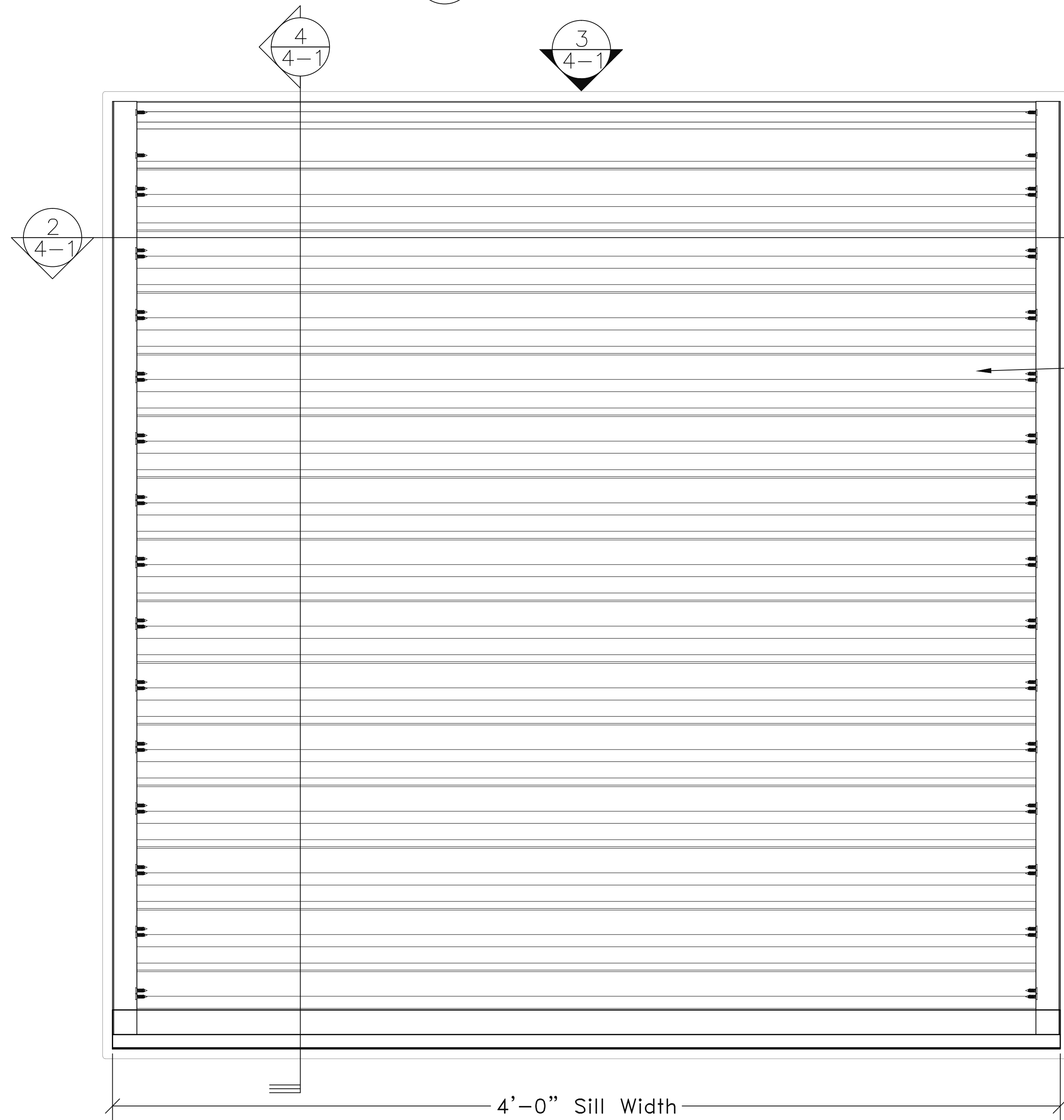
A DIVISION OF **DORALCO**
5919 W 118th ST., ALSIP, IL 60803
PH: 708-388-9324 FAX: 708-388-9392
http://www.doralco.com/



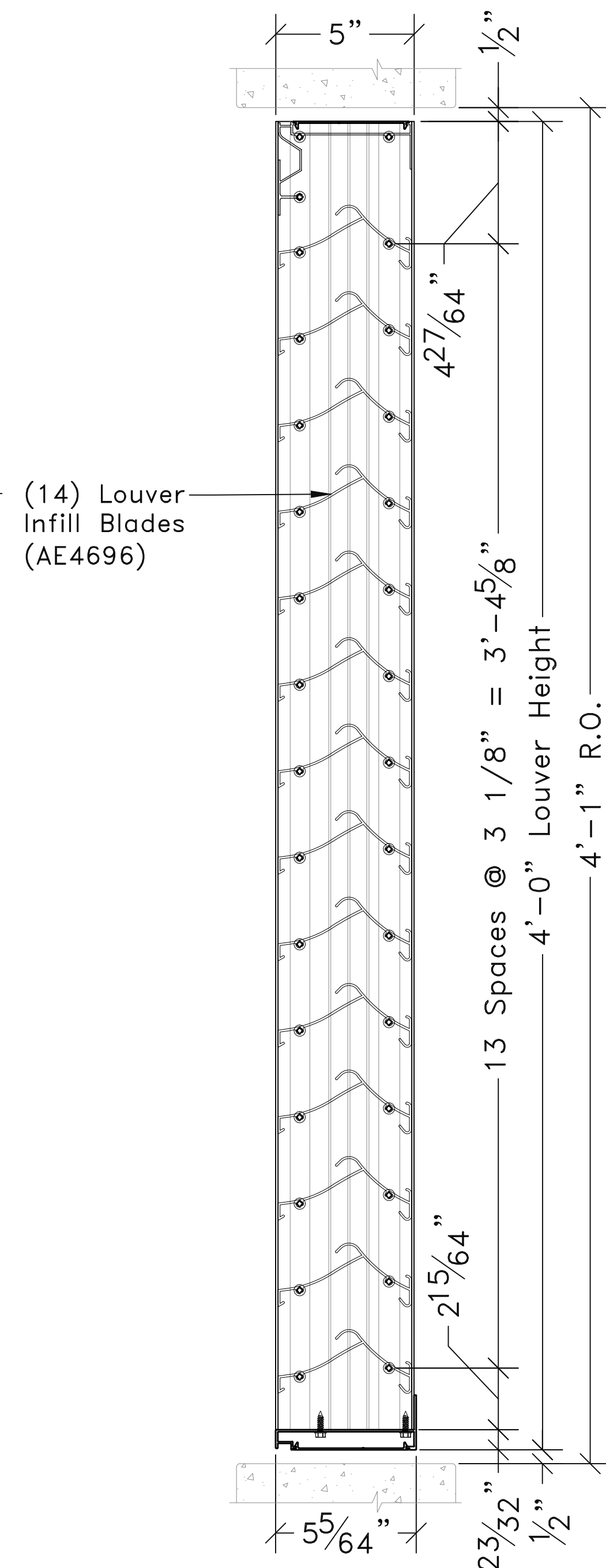
3 5" Storm Resistant Louver
Top View



2 5" Storm Resistant Louver
Horizontal Section

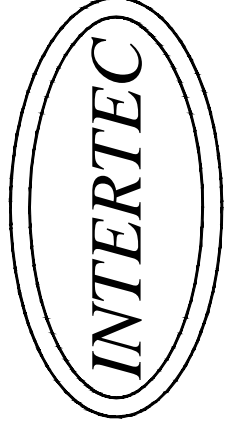


1 5" Storm Resistant Louver (1 Thus)
Front Elevation View



4 5" Storm Resistant Louver
Vertical Section

DORALCO
A DIVISION OF
5919 W 118th ST, ALSIP, IL 60803
PH: 708-388-9324 FAX: 708-388-9392
http://www.doralco.com/



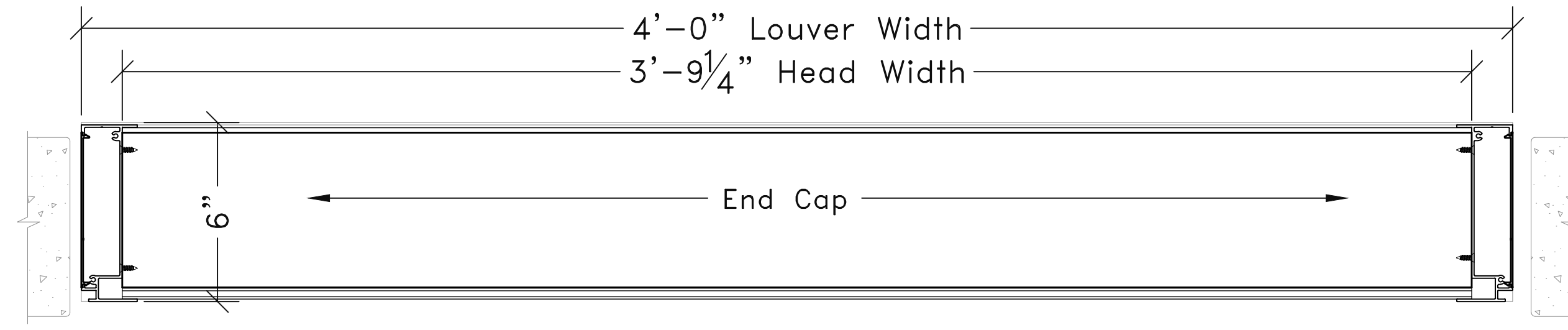
NO.	DATE	BY	REVISIONS

PROJECT NAME:	Louvers
ADDRESS:	
ARCHITECT:	
CONTRACTOR:	
INTERTEC PROJECT MANAGER:	AARON JOHNS

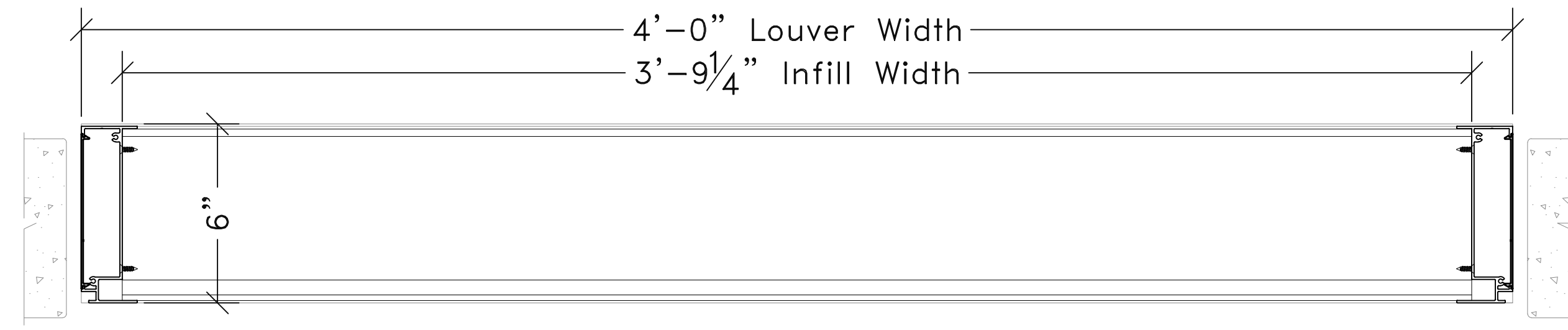
DATE:	
SCALE:	N.T.S.
DRAWN:	RCW
CHECKED BY:	

JOB NUMBER	
SHEET NO.	4-1

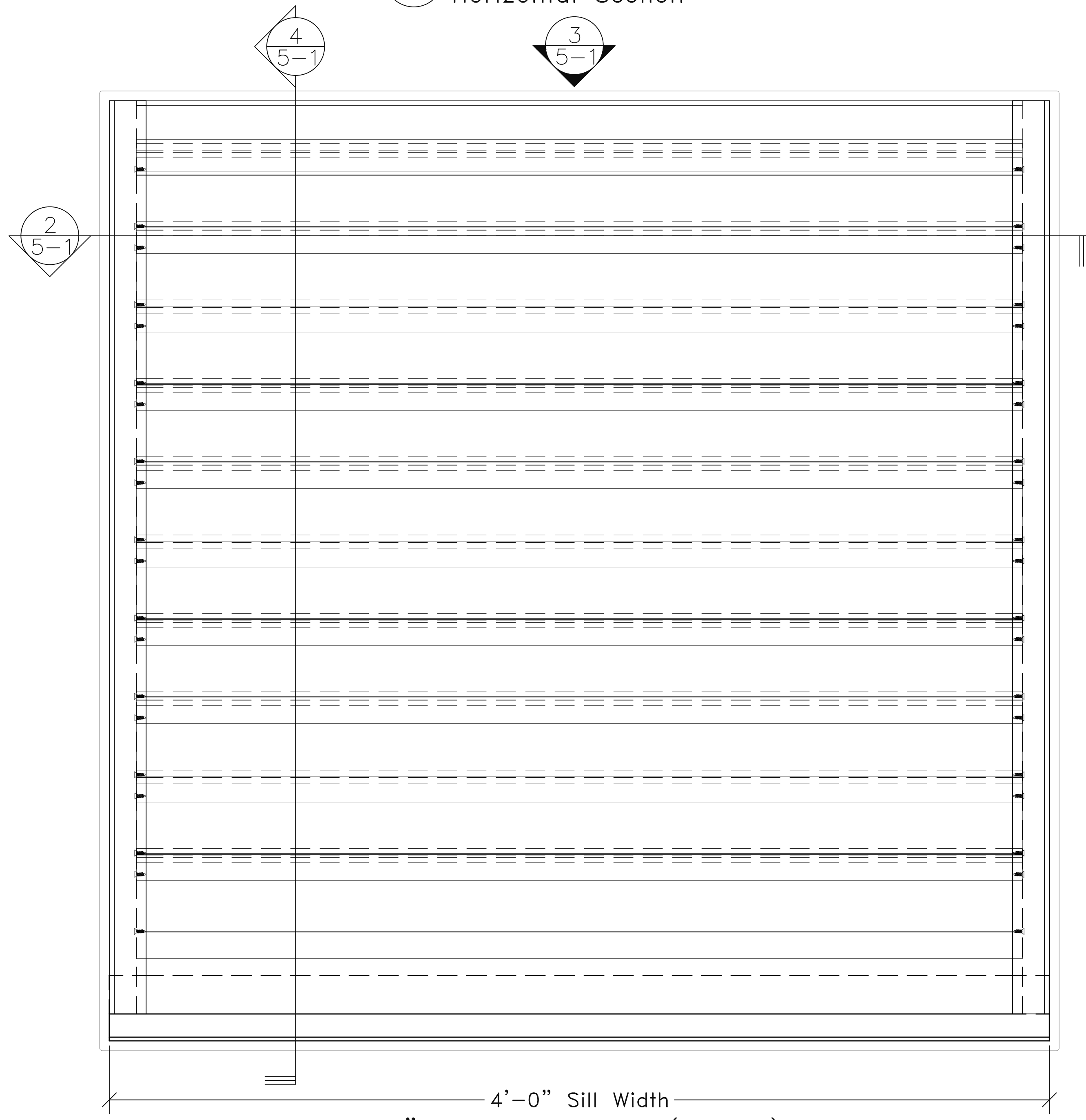
ENG. SEAL



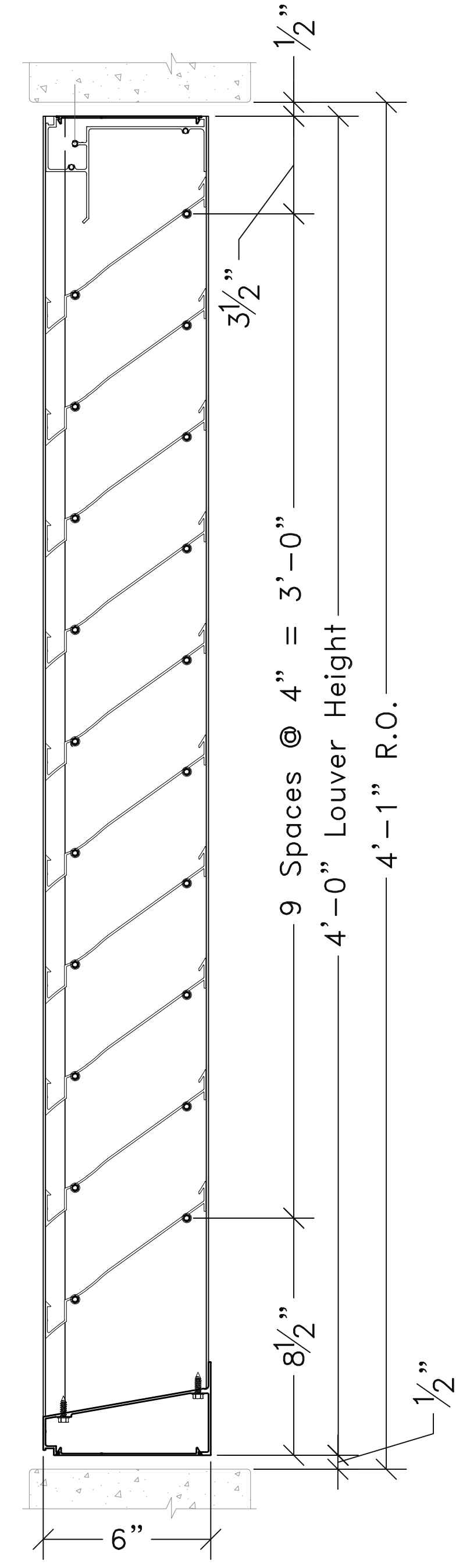
3 6" Drainable Louver
Top View



2 6" Drainable Louver
Horizontal Section



1 6" Drainable Louver (1 Thus)
Front Elevation View



4 6" Drainable Louver
Vertical Section

ENG. SEAL DATE: . . . SCALE: N.T.S. DRAWN: RCW CHECKED BY: . . .	PROJECT NAME: Louvers	JOB NUMBER #####	PROJECT NUMBER #####
	ADDRESS . . .	SHEET NO. 5-1	ARCHITECT: . . .
	ARCHITECT: . . .	CONTRACTOR: . . .	INTERTEC PROJECT MANAGER: AARON JOHNS
	NO. DATE BY	REVISIONS	A DIVISION OF DORALCO 5919 W 118th ST, ALSIP, IL 60803 PH: 708-388-9324 FAX: 708-388-9392 http://www.doralco.com/

